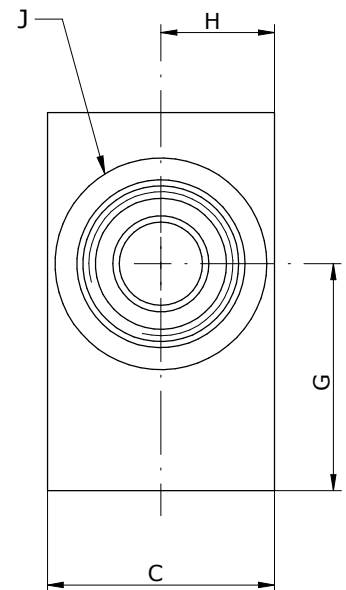
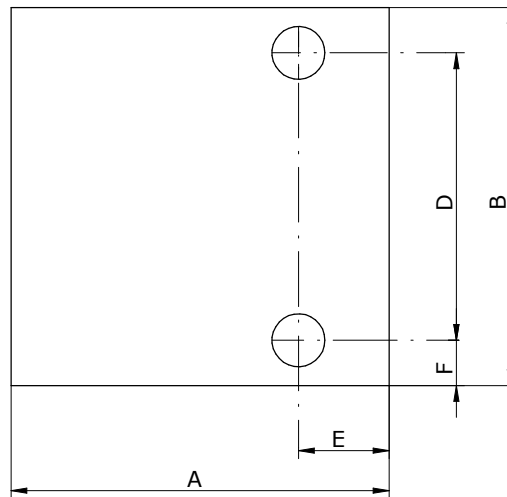
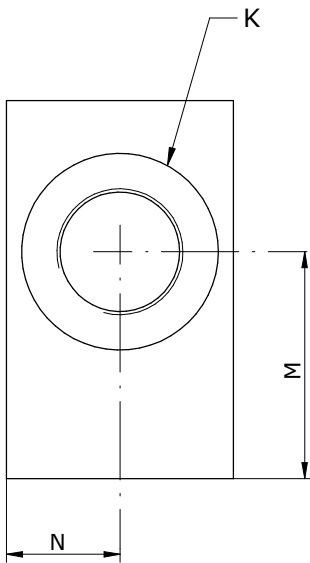
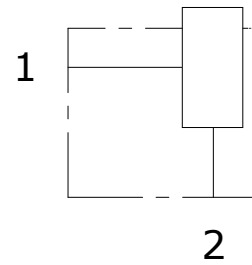
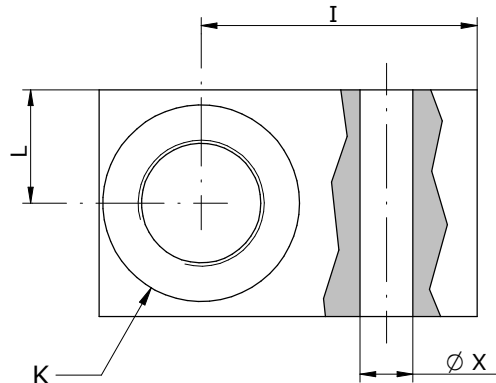
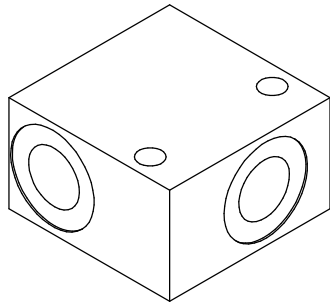


Schema idraulico  
 Hydraulic diagram



SIZE	A	B	C	D	E	F	G	H	I	L	M	N	J	CAVITY	K	X
HS 08-2	50	50	30	38	12	6	30	15	36.5	15	30	15	SAE 08-2	C007	1/4"BSP - 3/8"BSP	6.5
HS 10-2	60	60	40	48	12	6	37	20	41.5	20	37	20	SAE 10-2	C035	3/8"BSP - 1/2"BSP	6.5
HS 12-2	80	70	50	54	8	8	40	25	54.5	25	40	25	SAE 12-2	C045	1/2"BSP - 3/4"BSP	8.5
HS 16-2	80	80	50	60	10	10	45	25	55	25	45	25	SAE 16-2	C023	3/4"BSP - 1"BSP	11

**HS - - - 2 - -**

**S** = STEEL  
**A** = ALUMINIUM

**08** = 3/4-16UNF  
**10** = 7/8-14UNF  
**12** = 1.1/16-12 UNF  
**16** = 1.5/16-12 UNF

**14** = 1/4"  
**38** = 3/8"  
**12** = 1/2"  
**34** = 3/4"  
**100** = 1"