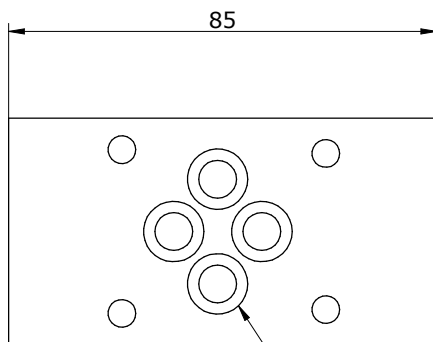
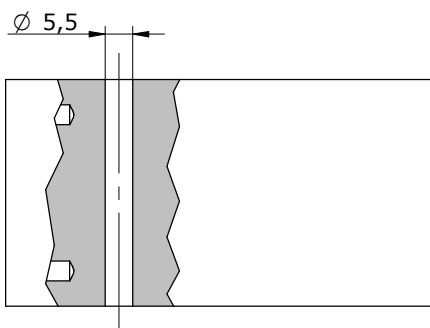
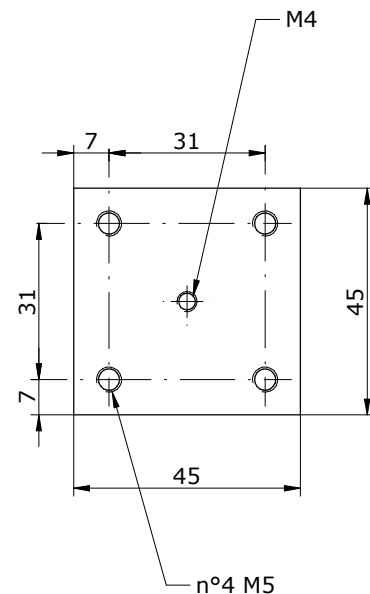


COD.	DIAGRAMS	
	0	BLIND
1	A+B	STANDARD
2	A	STANDARD
3	B	STANDARD
5	P	STANDARD



n°4 OR-108



E_ 610 - 06 -

S = STEEL
A = ALUMINIUM

SEE TABLE