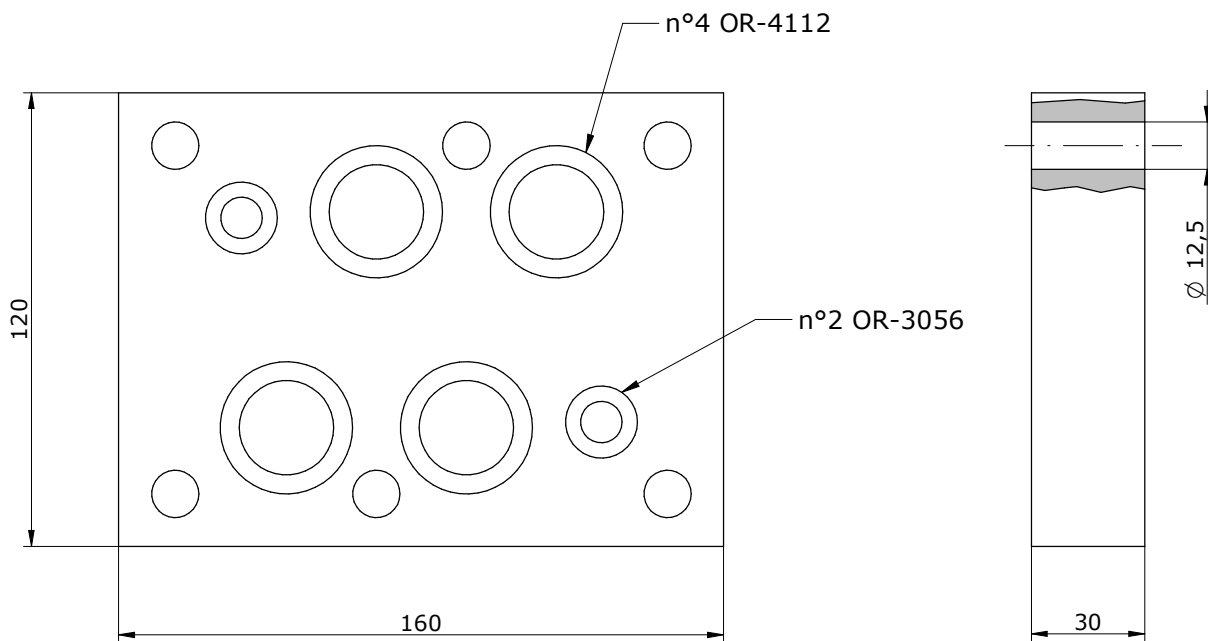
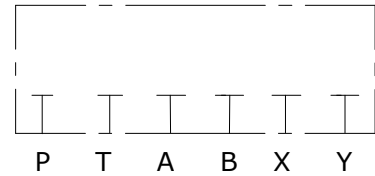
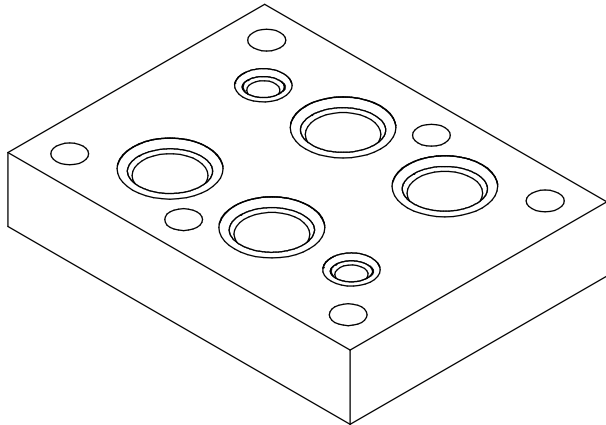


Schema idraulico
Hydraulic diagram



E_ 25 - 00 - 30 - 0

S = STEEL