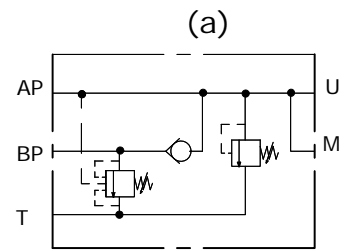
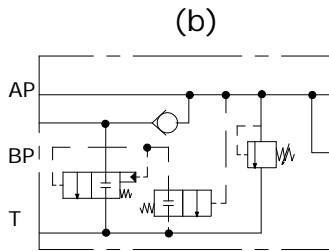
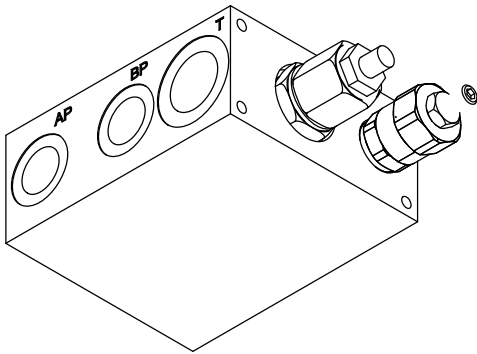


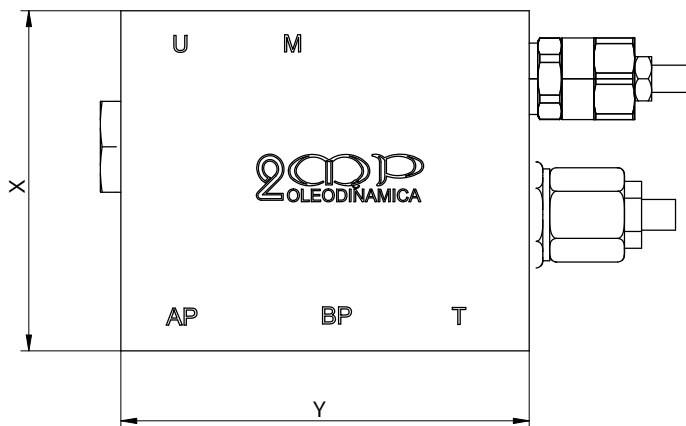
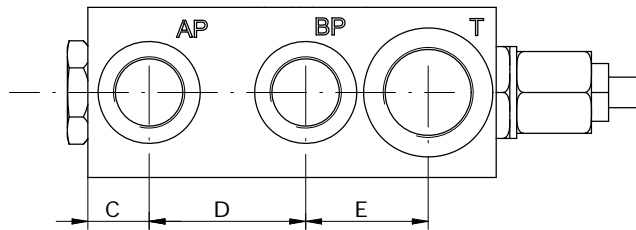
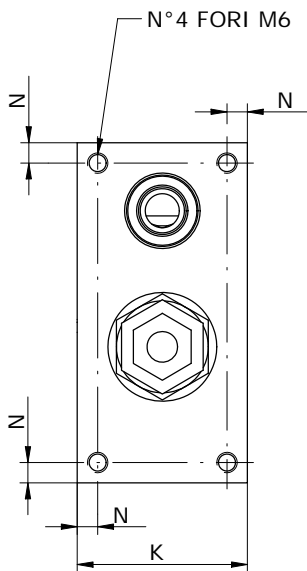
**VALVOLA DI ESCLUSIONE ALTA-BASSA PRESSIONE  
IN LINE HIGH LOW PRESSURE CIRCUIT**



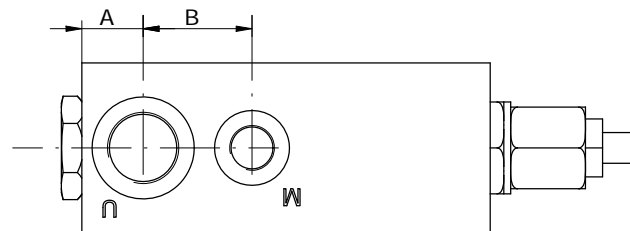
**Schemi idraulici  
Hydraulic diagrams**



**VE\_ \_**



TYPE	Q (L/1')	
	Ap	Bp
30	20	45
40	30	80
50	50	150
60	80	200
80	110	300



TYPE	Schema	Ap	Bp	U	T	M	X	Y	K	V	A	B	C	D	E	N	H
30	a	1/2"	1/2"	1/2"	3/4"	1/4"	100	100	50	45	18	32	12	46	36	6	M6
40	a	3/4"	3/4"	3/4"	1"	1/4"	130	150	60	45	21	34	21	59	45	6	M8
50	b	3/4"	1"	1"	1 1/4"	1/4"	110	180	70	56	24	51	23	57	60	10	M8
60	b	3/4"	1 1/4"	1 1/4"	1 1/2"	1/4"	120	200	80	50	33	57	33	57	70	10	M8
80	b	SAE 6000 1"	SAE 3000 1 1/2"	SAE 6000 2"	SAE 3000 2"	1/4"	130	260	140	50	47	151	33	79	90	10	M8

Via Nicolò Copernico 12/c-d  
29027 Casoli Di Gariga - Podenzano (PC) Italy

www.oleodinamica2mp.it  
Tel +39 0523 523231  
Fax +39 0523 524509

# VE - - - - 10

**S** = STEEL  
**A** = ALLUMINIUM

TYPE:  
**30; 40; 50; 60; 80**

HIGH PRESSURE SETTINGS:  
**070** = <70 BAR  
**220** = <220 BAR  
**280** = <280 BAR  
**350** = <350 BAR

LOW PRESSURE SETTINGS  
**45** = 45 BAR MAX  
**60** = 60 BAR MAX  
**100** = 100 BAR MAX  
**160** = 160 BAR MAX

TYPE	Q (L/1')	
	Ap	Bp
30	20	45
40	30	80
50	50	150
60	80	200
80	110	300

## PERFORMANCE

