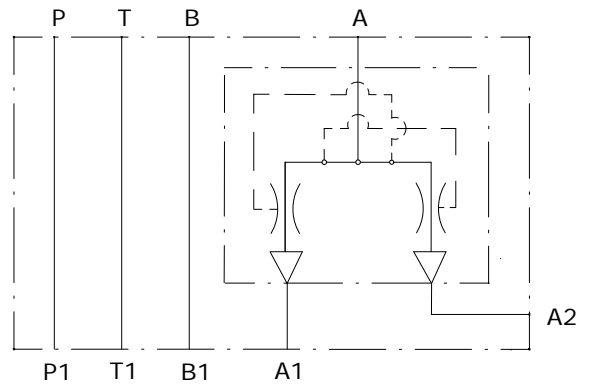
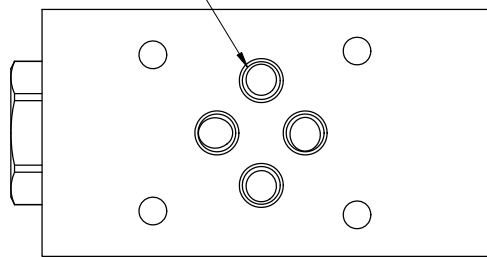


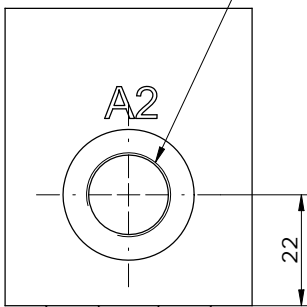
Schema idraulico
 Hydraulic diagram



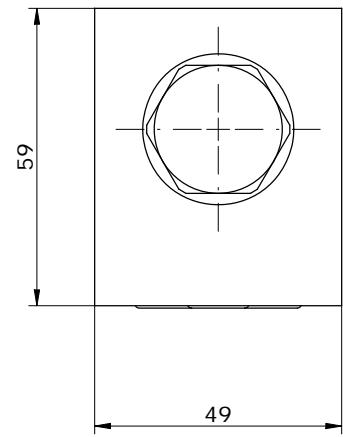
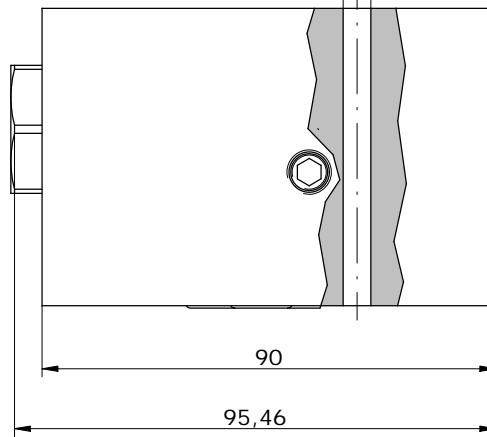
n°4 OR 108



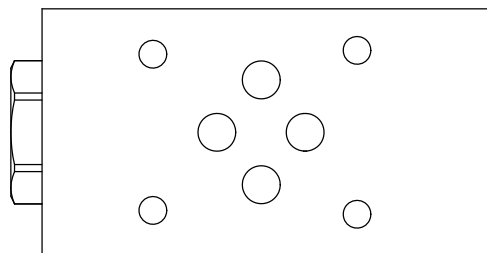
BSP 3/8G



Ø 5,5

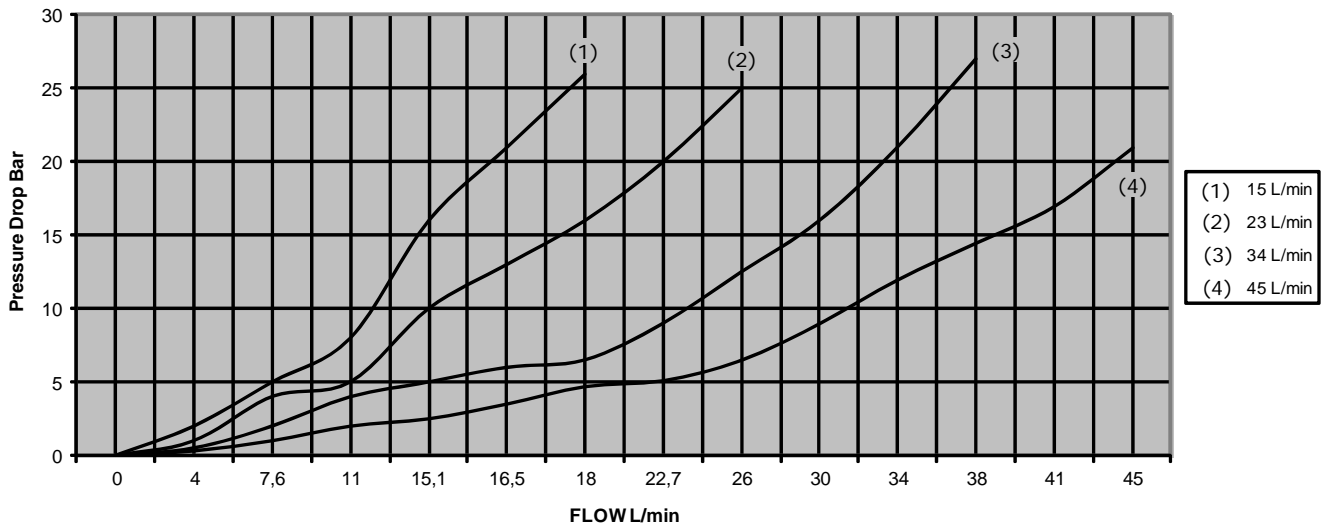


MVS 06-FD



CARATTERISTICHE TECNICHE
CHARACTERISTICS

PERFORMANCE



Operating pressure: 345 bar
Accuracy: $\pm 5\%$

MV_ 06 - FD - _ - 10

S = STEEL
A = ALUMINUM

INLET FLOW:
15 = UP TO 15L/min
23 = UP TO 23L/min
34 = UP TO 34L/min
45 = UP TO 45L/min