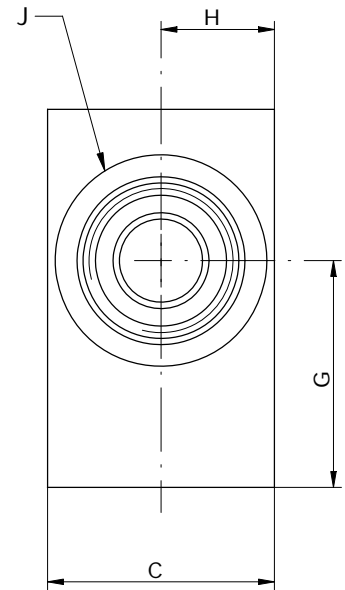
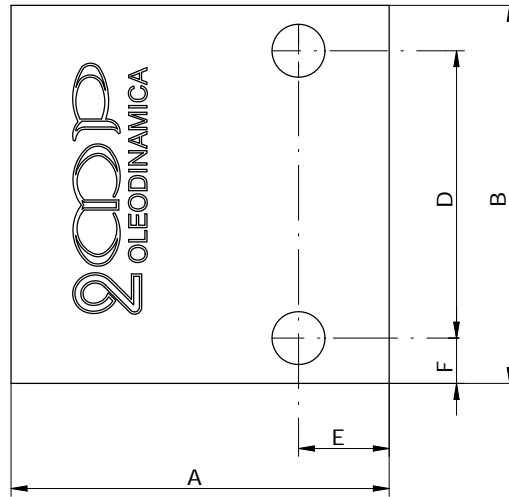
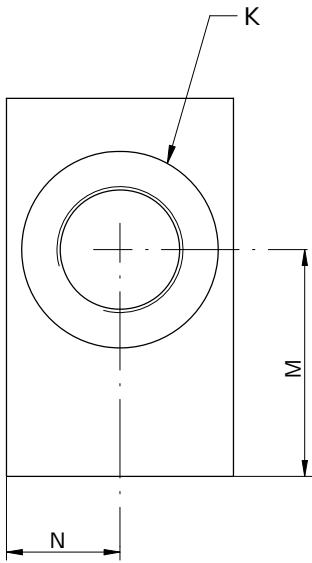
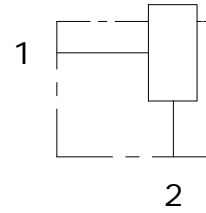
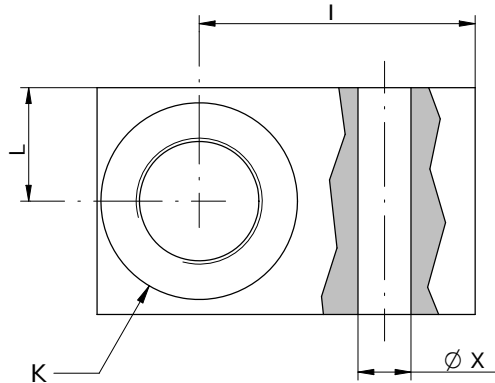
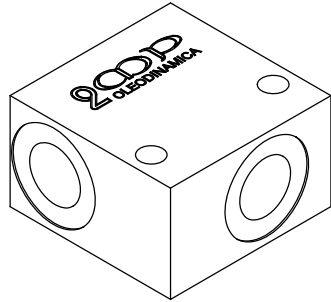


COLLETTORE 2 VIE PER VALVOLA SAE 08-10-12-16
2 WAY HOUSING FOR SAE 08-10-12-16



Schema idraulico
Hydraulic diagram



SIZE	A	B	C	D	E	F	G	H	I	L	M	N	J	CAVITY	K	X
HS 08-2	50	50	30	38	12	6	30	15	36.5	15	30	15	SAE 08	C007	3/8"BSP - 1/4"BSP	6.5
HS 10-2	60	60	40	48	12	6	37	20	41.5	20	37	20	SAE 10-2	C035	1/2"BSP - 3/8"BSP	6.5
HS 12-2	80	70	50	54	8	8	40	25	54.5	25	40	25	SAE 12-2	C045	3/4"BSP - 1/2"BSP	8.5
HS 16-2	80	80	50	60	10	10	45	25	55	25	45	25	SAE 16-2	C023	1"BSP - 3/4"BSP	11

HS - _ - _ - 2 - _

S = STEEL
A = ALUMINUM

08 = 3/4-16UNF
10 = 7/8-14UNF
12 = 1.1/16-12 UNF
16 = 1.5/16-12 UNF

14 = 1/4"
38 = 3/8"
12 = 1/2"
34 = 3/4"
100 = 1"

Via Nicolò Copernico 12/c-d
 29027 Casoni Di Gariga - Podenzano (PC) Italy

www.oleodinamica2mp.it
 Tel +39 0523 523231
 Fax +39 0523 524509