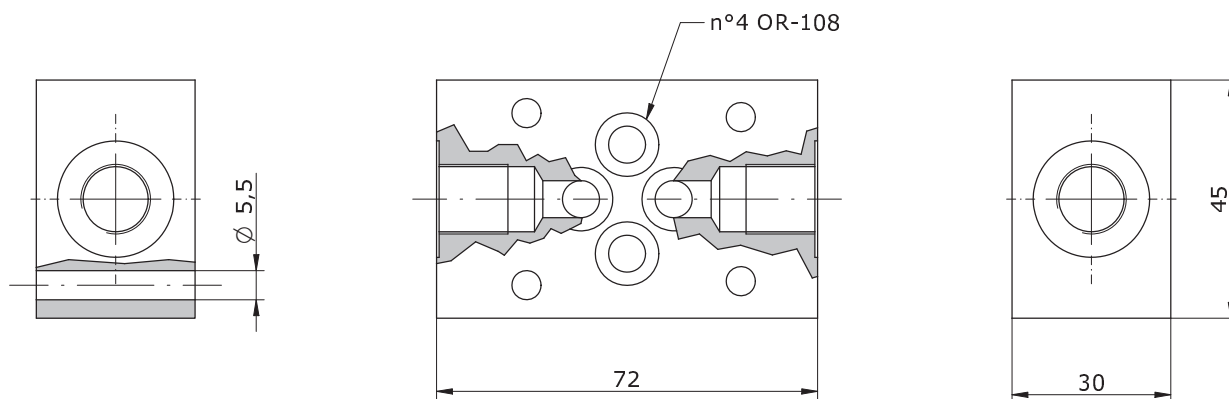
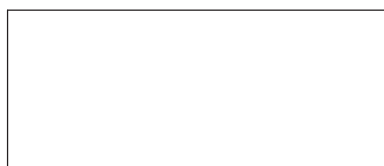
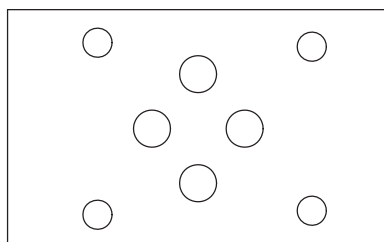


COD.	DIAGRAMS	
	<b>1</b>	<b>A+B</b>
<b>2</b>	<b>A</b>	ON REQUEST
<b>3</b>	<b>B</b>	ON REQUEST
<b>4</b>	<b>P+T</b>	STANDARD
<b>5</b>	<b>P</b>	ON REQUEST
<b>6</b>	<b>T</b>	ON REQUEST
<b>7</b>	<b>P+P</b>	ON REQUEST
<b>8</b>	<b>T+T</b>	ON REQUEST



**E\_06 - 01 - \_ \_ - \_**

**S** = STEEL  
**A** = ALUMINUM

SEE DIAGRAMS

**14**= BSP 1/4G  
**38**= BSP 3/8G