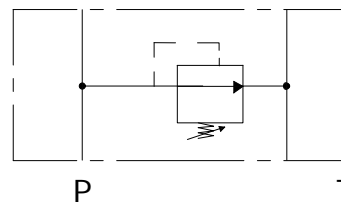


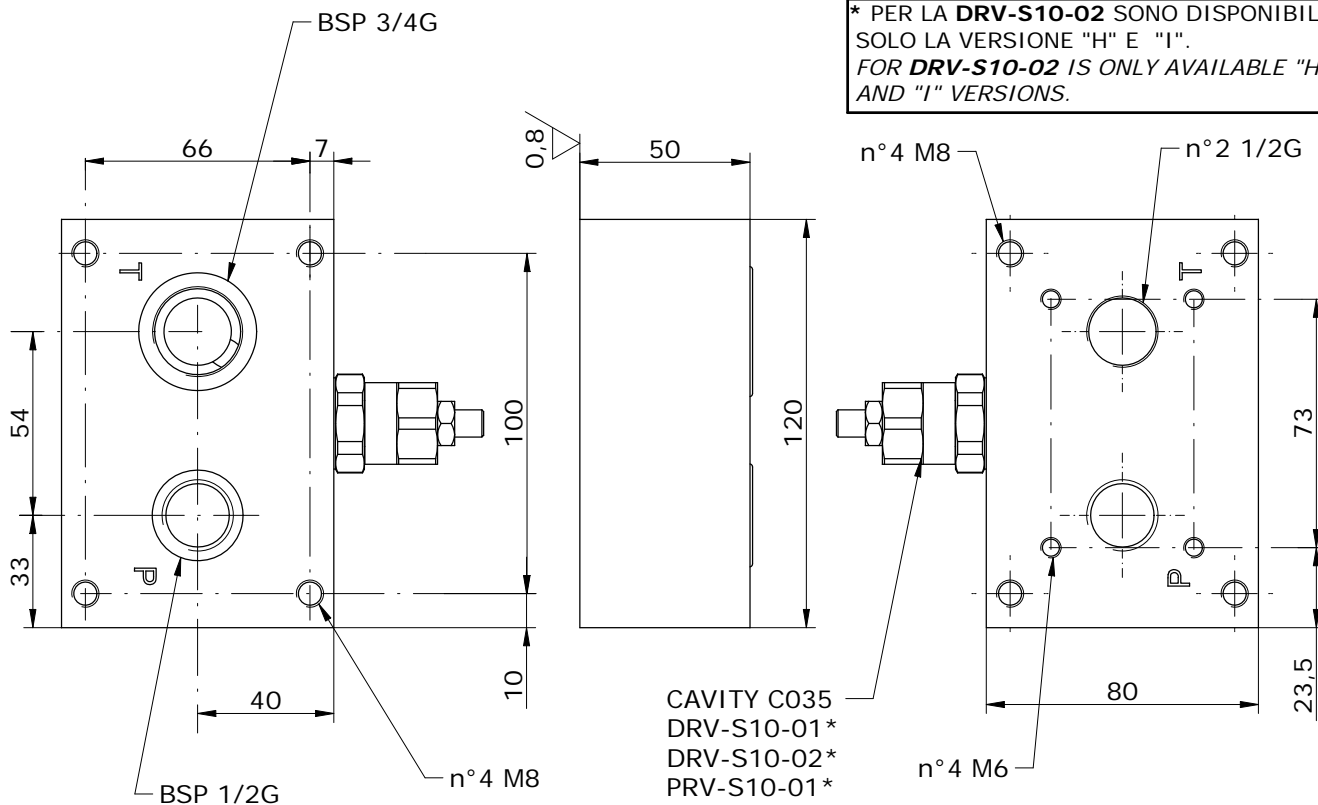
Schema idraulico
 Hydraulic diagram



TIPI DI REGOLAZIONE PER V. MAX
 REGULATION TYPE FOR RELIEF VALVE

	H	VITE CON CHIAVE ESAGONALE (standard) HEXAGONAL HEAD SCREW
	K	POMOLO KNOB
	C	FISSA CON CAPPUCCIO COVER CAP
	I	INVOLABILE NON ADJUSTABLE

* PER LA **DRV-S10-02** SONO DISPONIBILE SOLO LA VERSIONE "H" E "I".
 FOR **DRV-S10-02** IS ONLY AVAILABLE "H" AND "I" VERSIONS.



E_ 610 - 29 - - - -

S = STEEL
A = ALUMINIUM

- 0** = WITHOUT RELIEF VALVE
- 1** = WITH PILOT R.V. - PRV-S10-01
- 2** = RELIEF VALVE READY
- 3** = WITH DIRECT R.V. - DRV-S10-01
- 4** = WITH DIRECT R.V. - DRV-S10-02

OMETTERE / OMIT
H = HEXAGONAL HEAD SCREW
K = KNOB
C = COVER CAP
I = NOT ADJUSTABLE

DIRECT R.V. - DRV-S10-01	DIRECT R.V. - DRV-S10-02	PILOT R.V. - PRV-S10-01
0 = WITHOUT	0 = WITHOUT	0 = WITHOUT
1 = 0-80 bar	1 = 5-75 bar	1 = up to 140 bar
2 = 50-190 bar	2 = 75-125 bar	2 = up to 280 bar
3 = 100-350	3 = 125-220 bar	3 = up to 420 bar
	4 = 220-350 bar	

*see **CARTDRIGE VALVES** catalog

Via Nicolò Copernico 12/c-d
 29027 Casoli Di Gariga - Podenzano (PC) Italy

www.oleodinamica2mp.it
 Tel +39 0523 523231
 Fax +39 0523 524509