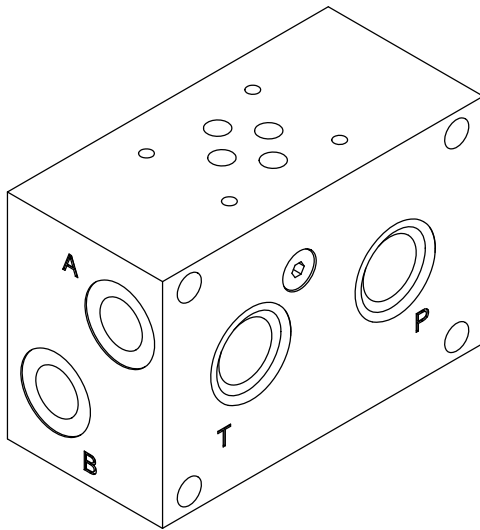
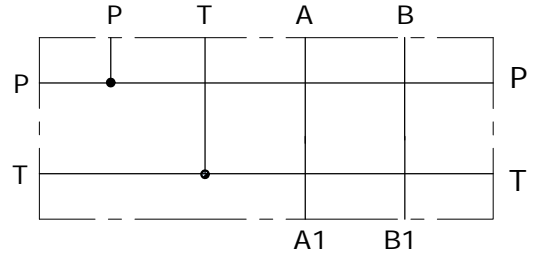
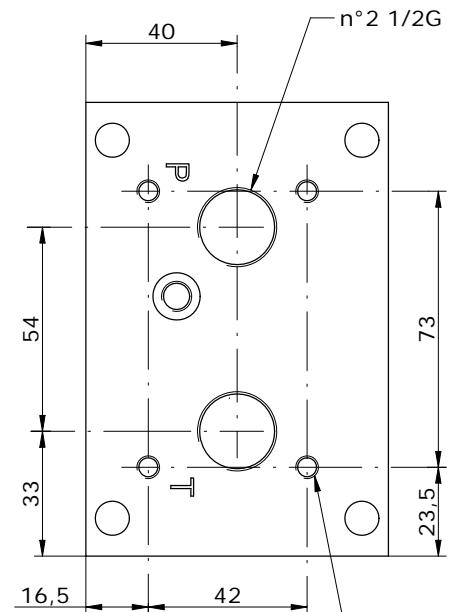
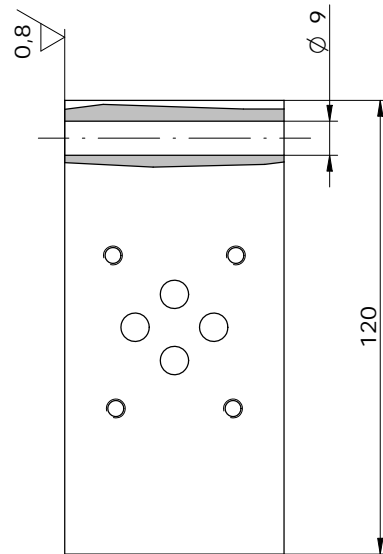
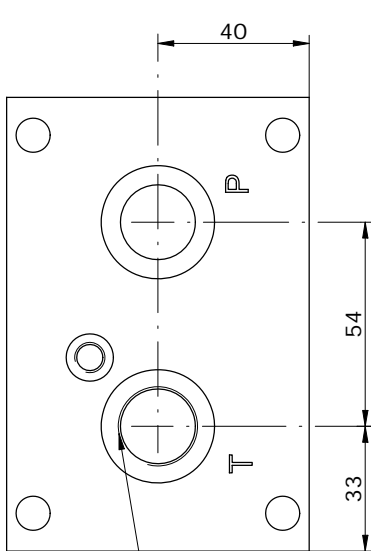
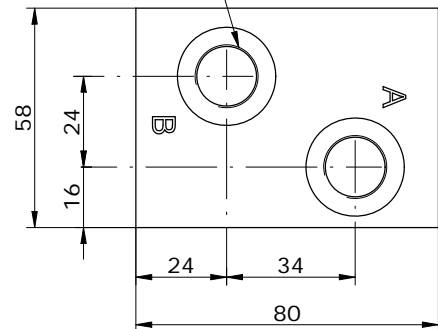


Schema idraulico
 Hydraulic diagram



n°2 BSP 3/8G



n°2 BSP 1/2G
 OR-3100

n°4 M6

ES 610 - 28 - 38

S = STEEL
A = ALUMINUM