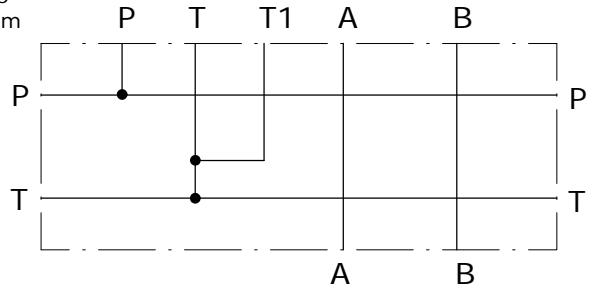
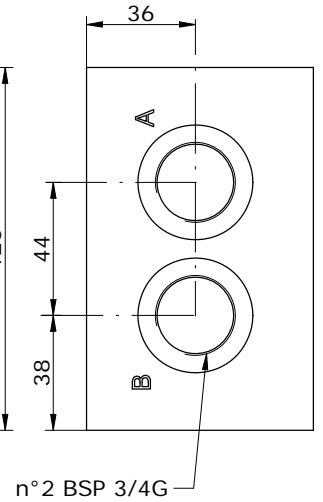
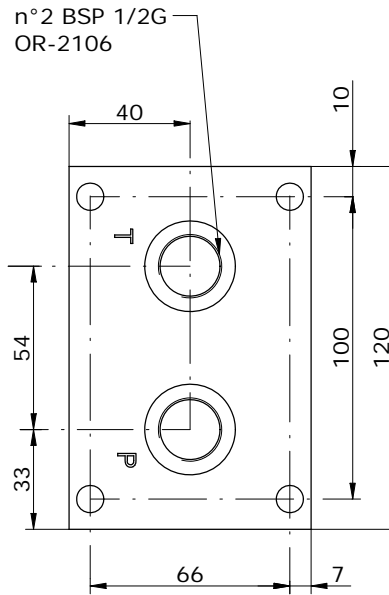
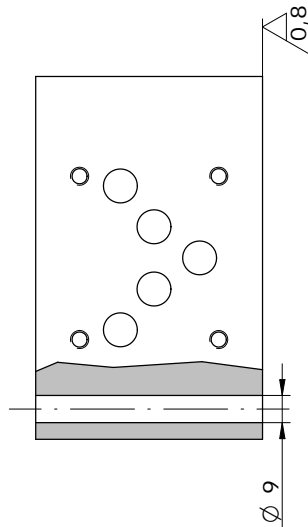
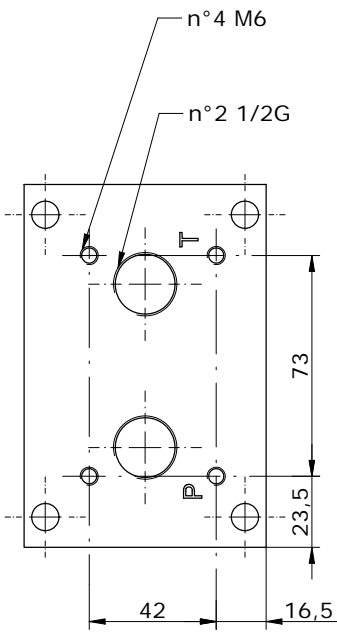
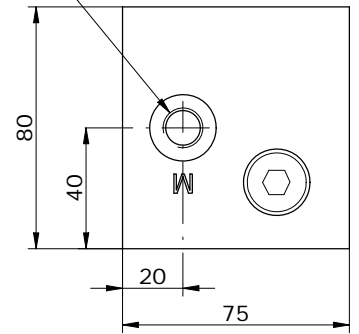


Schema idraulico
 Hydraulic diagram



BSP 1/4G



E_ 610 - 26 - 34

S = STEEL
 A = ALUMINUM