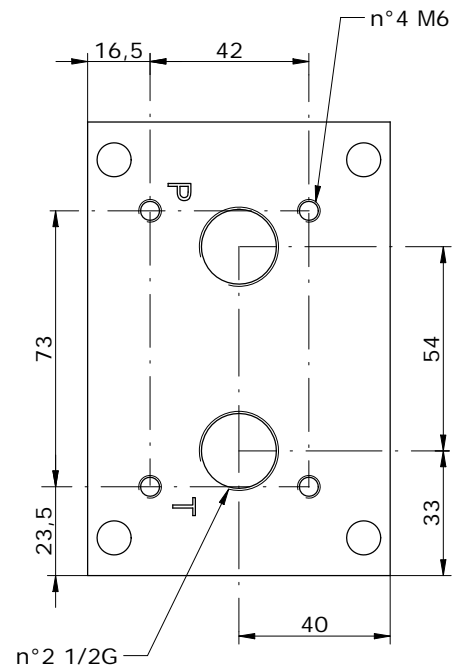
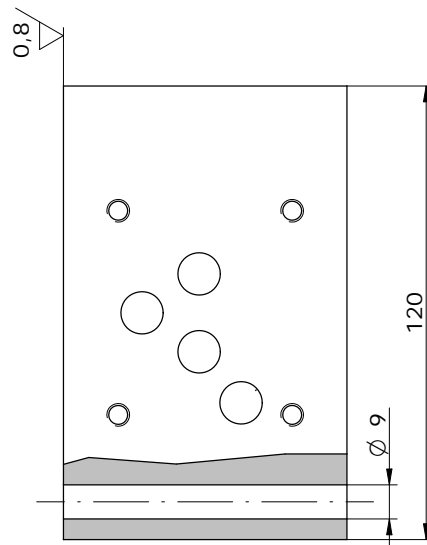
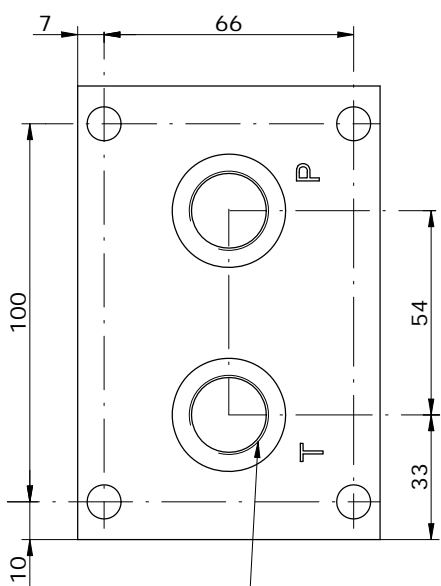
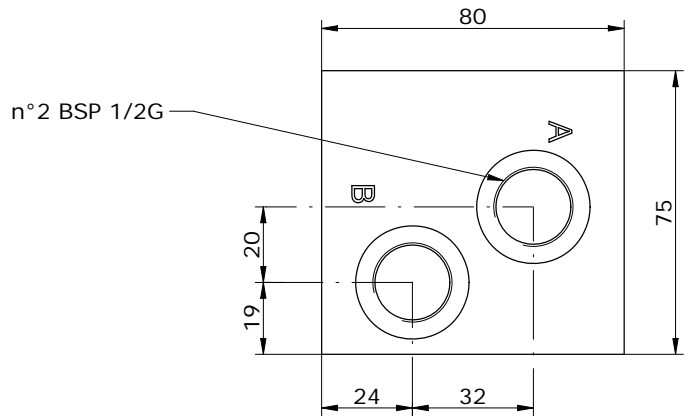
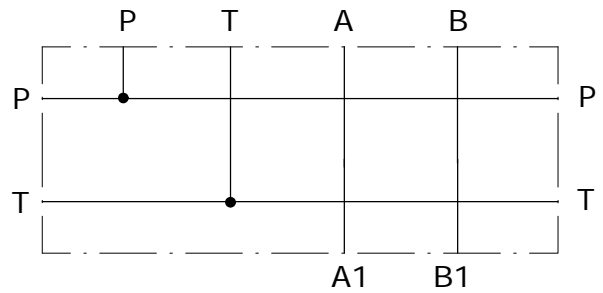
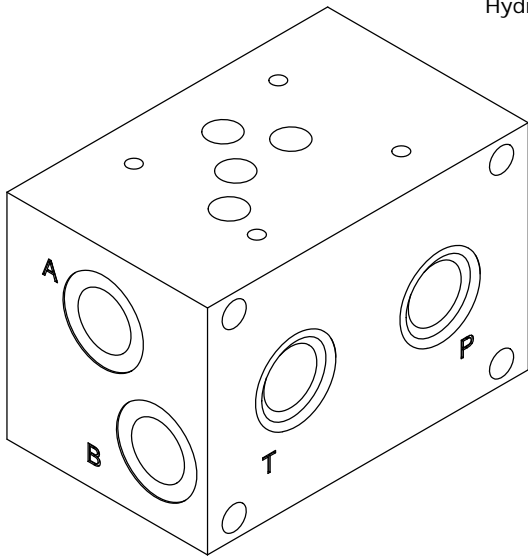


Schema idraulico
 Hydraulic diagram



n°2 BSP 1/2G
 OR-3100

E_ 610 - 25 - 12

S = STEEL
 A = ALUMINUM