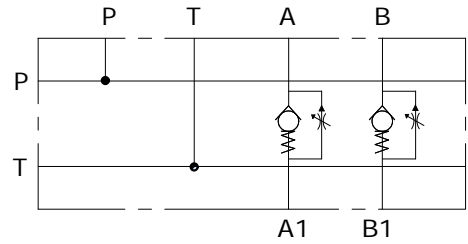
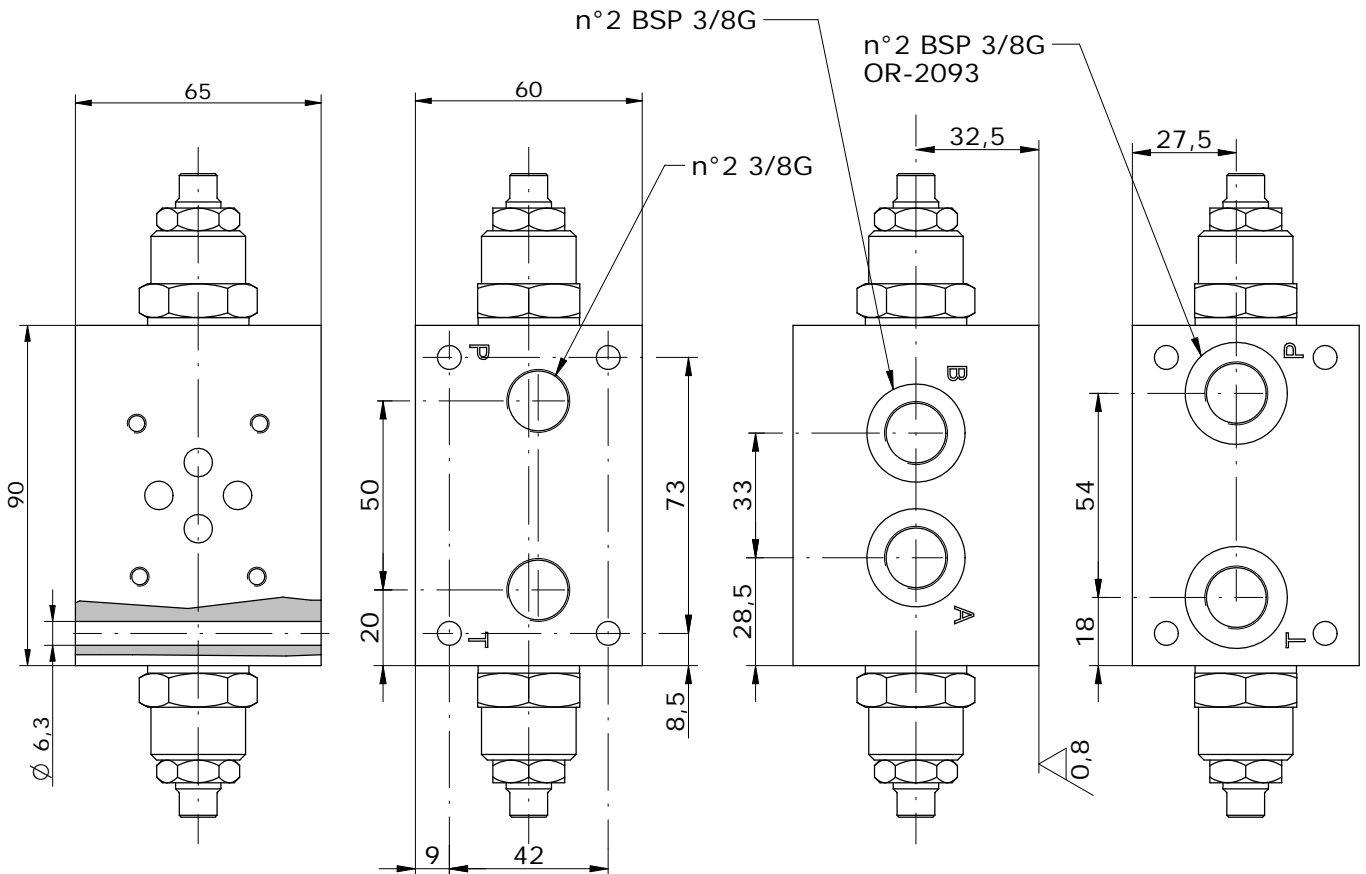


Schema idraulico
 Hydraulic diagram



TIPI DI REGOLAZIONE PER V. MAX
 REGULATION TYPE FOR RELIEF VALVE

	H VITE CON CHIAVE ESAGONALE (standard) HEXAGONAL HEAD SCREW
	K POMOLO KNOB
	C FISSA CON CAPPUCCIO COVER CAP
	I INVOLABILE NON ADJUSTABLE



E_ 610 - 23 - 38 - _ - _

S = STEEL
A = ALUMINIUM

A = FLOW CONTROL ON PORT A
D = FLOW CONTROL ON PORT A AND B

OMETTERE / OMIT
H = HEXAGONAL HEAD SCREW
K = KNOB
C = COVER CAP
I = NOT ADJUSTABLE

* see **CARTDRIGE VALVES** catalog