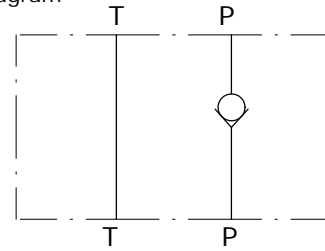
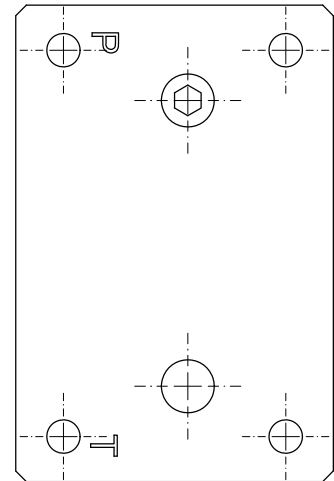
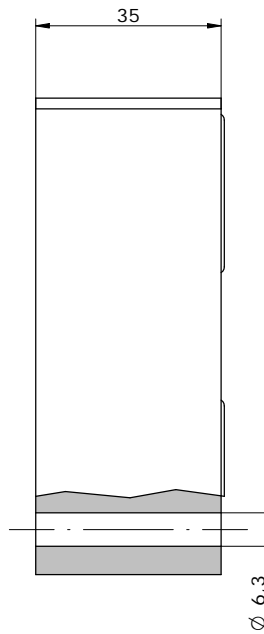
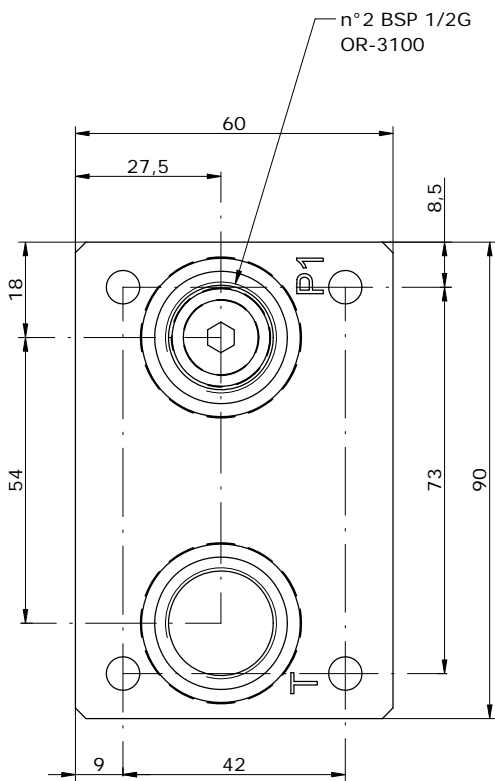
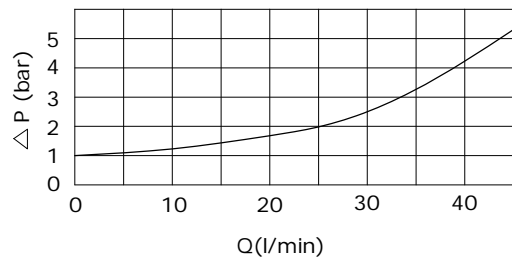


Schema idraulico
 Hydraulic diagram



PRESSURE DROP



E_ 610 - 22

S = STEEL
A = ALUMINUM