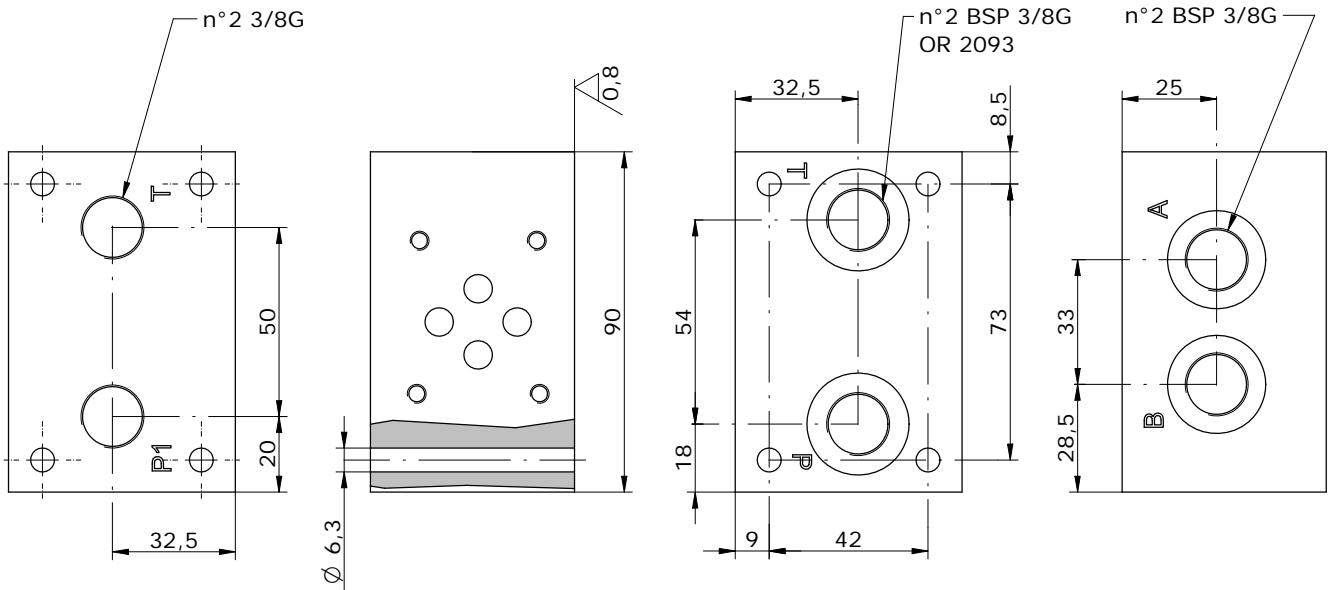
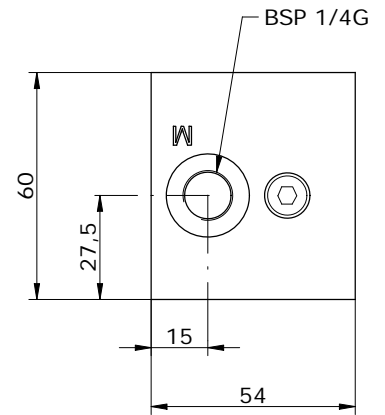
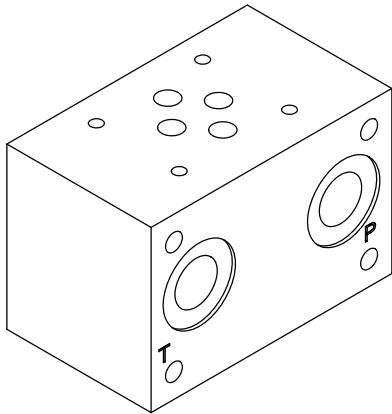
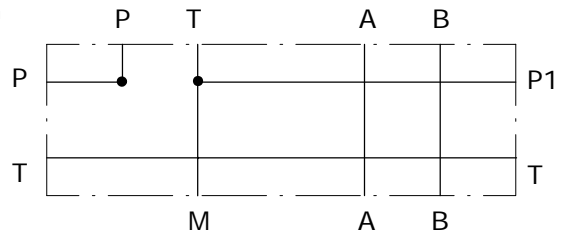


Schema idraulico
 Hydraulic diagram



E_ 610 - 20 - 38

S = STEEL
 A = ALUMINUM