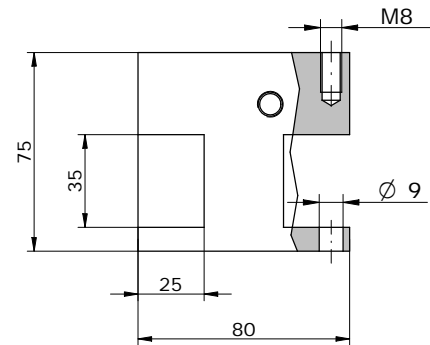
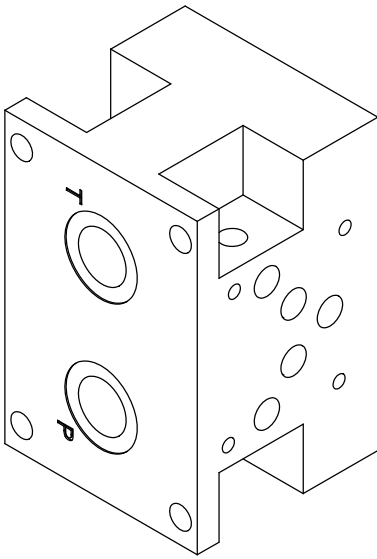
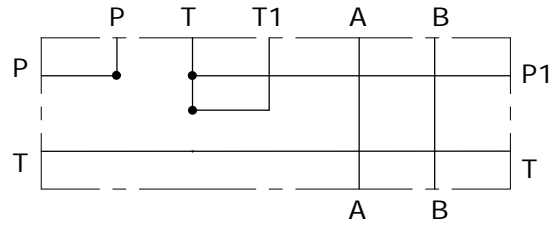
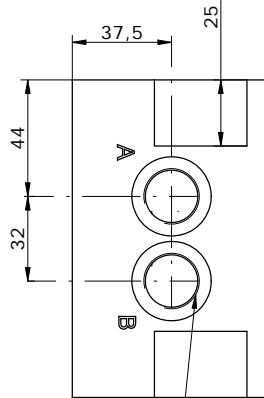
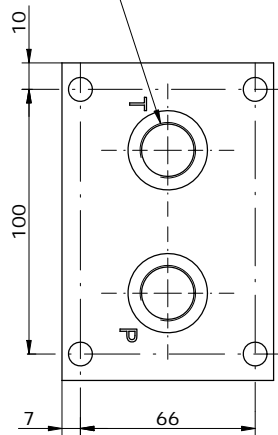
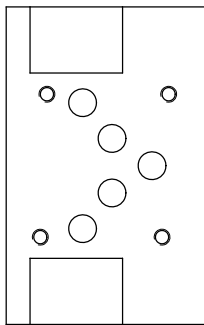


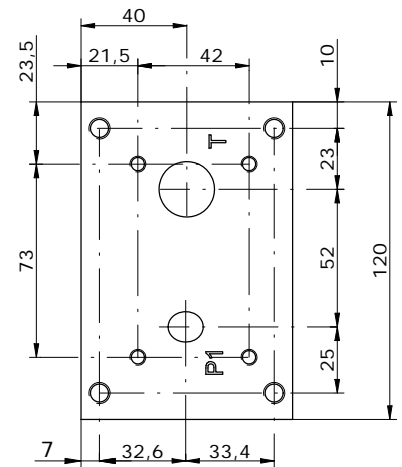
Schema idraulico
 Hydraulic diagram



n°2 BSP 1/2G
 OR 2106



n°2 BSP 1/2G



E_ 610 - 19 - 12

S = STEEL
A = ALUMINUM