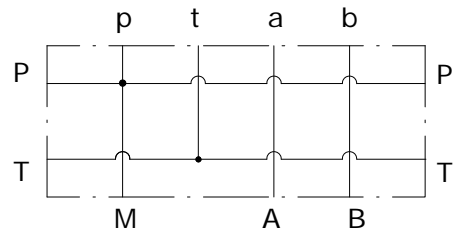
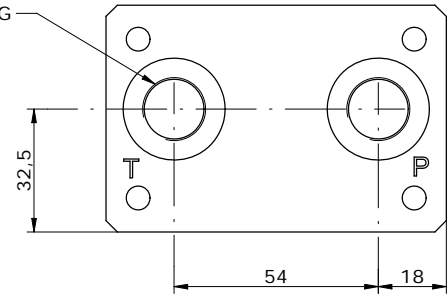


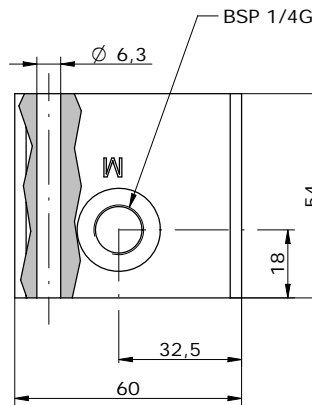
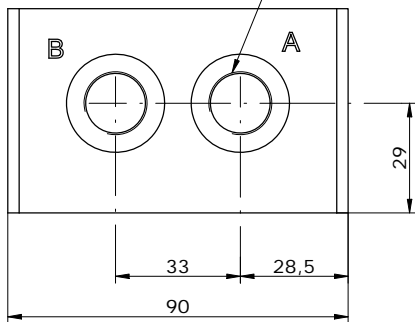
Schema idraulico  
 Hydraulic diagram



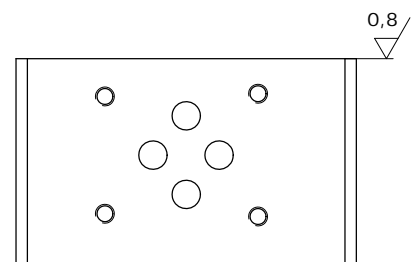
n°2 BSP 3/8G  
 OR-2093



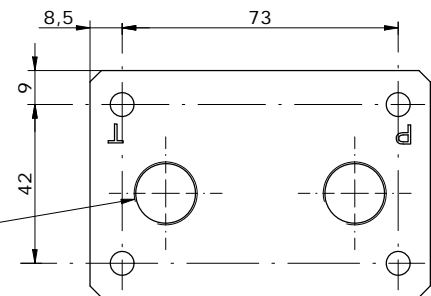
n°2 BSP 3/8G



BSP 1/4G



n°2 3/8G



# E\_ 610 - 09 - 38

**S** = STEEL  
**A** = ALUMINIUM