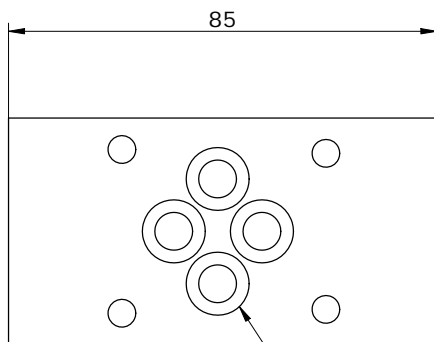
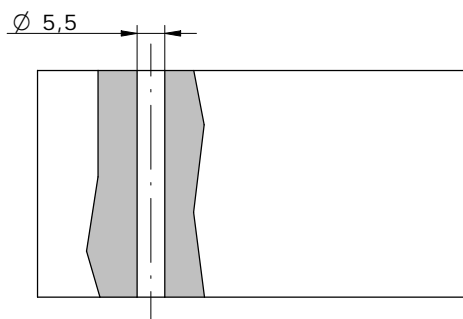
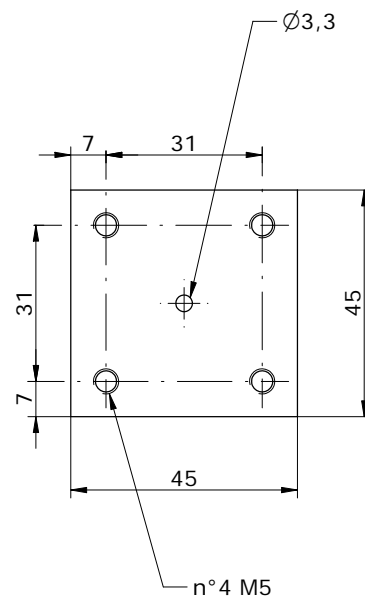


COD.	DIAGRAMS	
	1	A+B
2	A	STANDARD
3	B	STANDARD
4	P+T	ON REQUEST
5	P	STANDARD
6	T	ON REQUEST
7	P+P	ON REQUEST



n°4 OR-108



**E\_ 610 - 06 -**

**S** = STEEL  
**A** = ALUMINUM

SEE DIAGRAMS