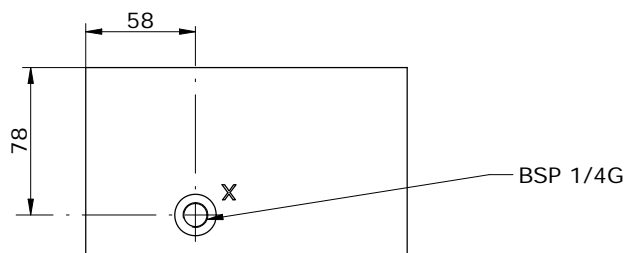
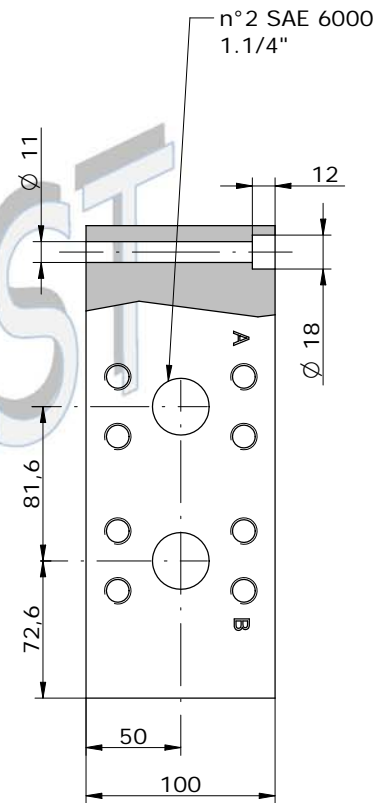
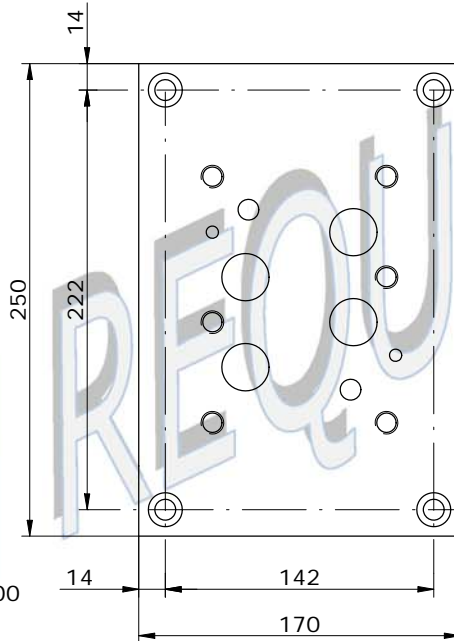
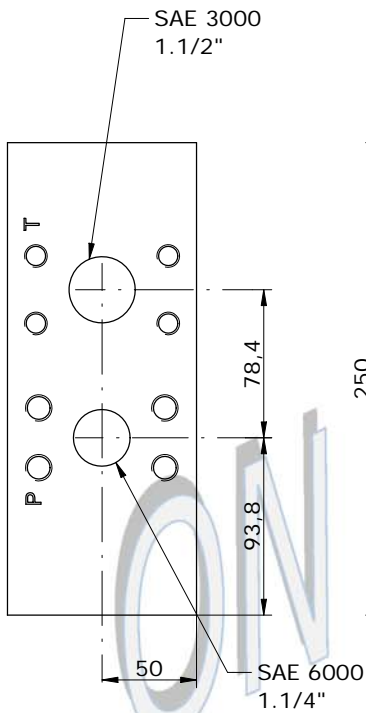
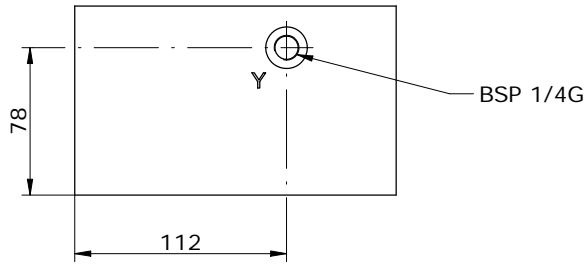
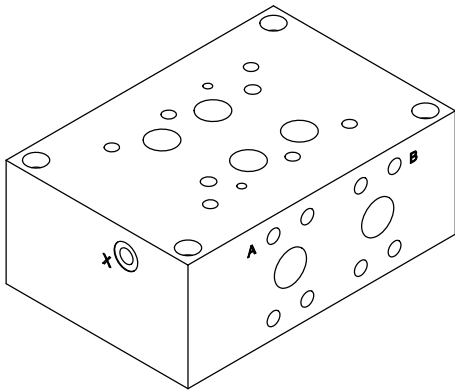
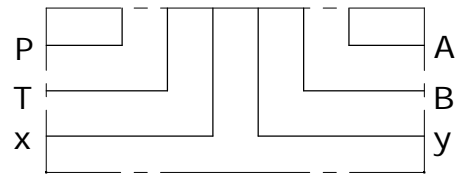


BASE CETOP 8 A-B-P LATERALI SAE6000 1.1/4",
 T LATERALE SAE3000 1.1/2"
 SUB-PLATE CETOP 8 A-B-P PORTS ON SIDE SAE6000 1.1/4",
 T ON SIDE SAE3000 1.1/2"



Schema idraulico
 Hydraulic diagram



E_ 25 - 03 - 114

S = STEEL
A = ALUMINUM