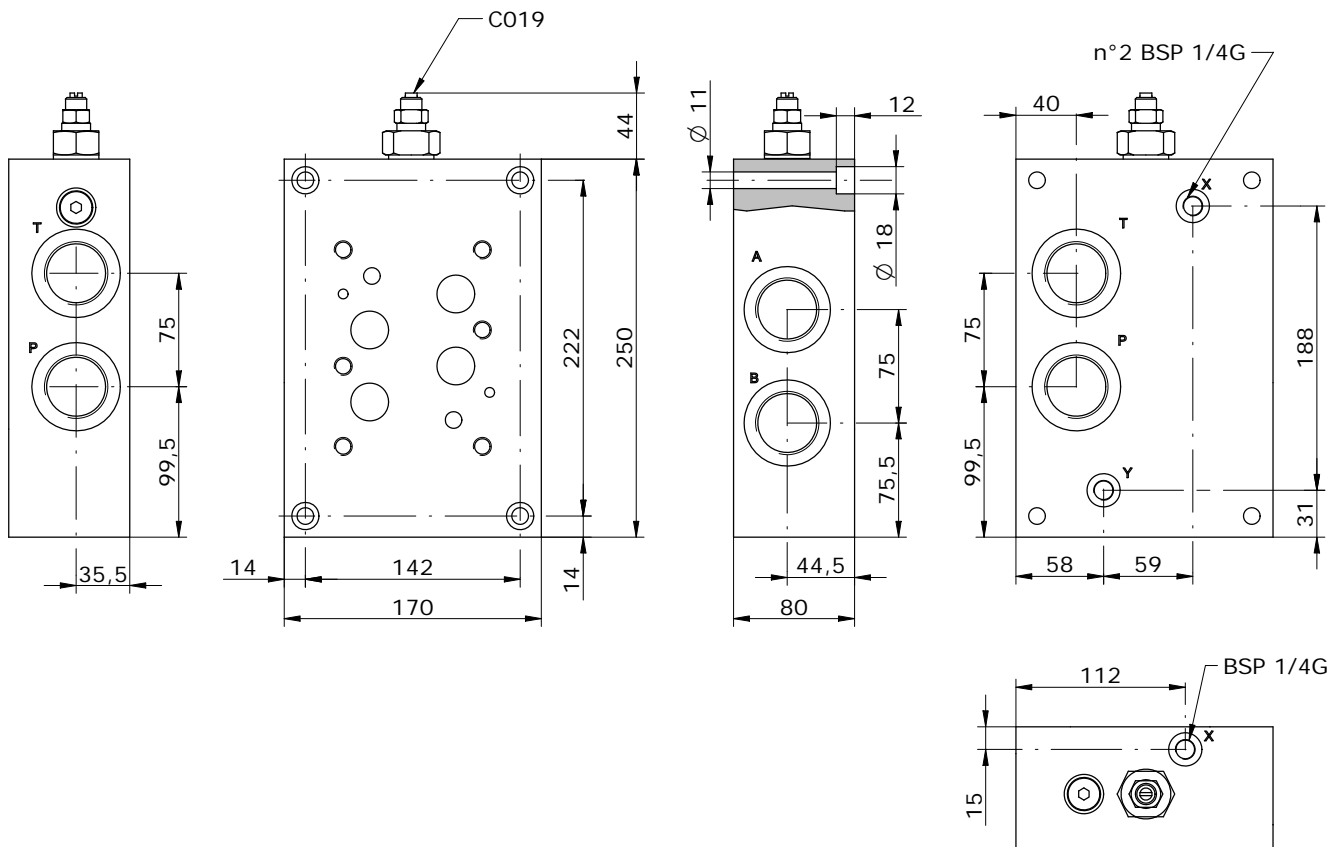
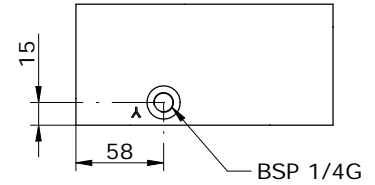
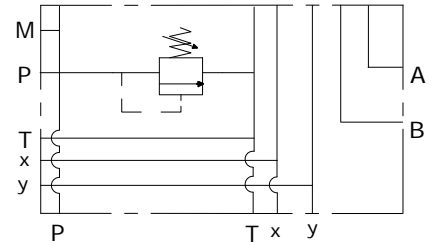
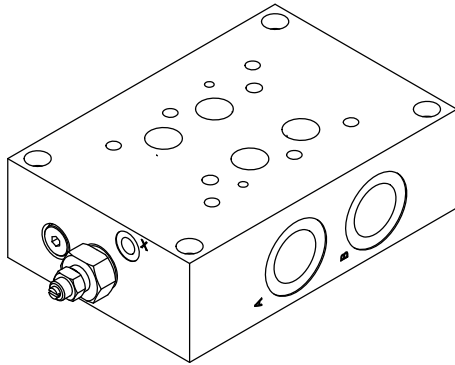


**BASE SINGOLA CETOP 8 CON UTILIZZI A-B-P-T LATERALI P-T POSTERIORI**  
**SUB-PLATE CETOP 8 WITH A-B-P-T PORTS ON SIDE P-T BACK**



Schema idraulico  
Hydraulic diagram



**E\_ 25 - 01 - - - -**

**S = STEEL**  
**A = ALUMINUM**

**114 = 1.1/4G**  
**112 = 1.1/2G**

**0 = WITHOUT RELIEF VALVE**  
**1 = WITH RELIEF VALVE**  
**2 = RELIEF VALVE READY**

**0 = WITHOUT RELIEF VALVE**  
**1 = 0-250 BAR**  
**2 = 200-350 BAR**