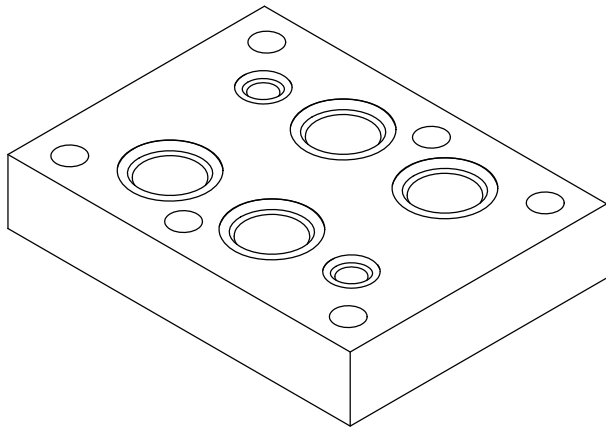
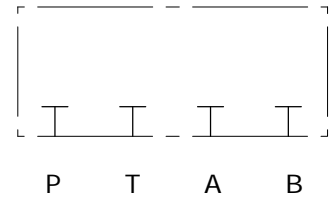


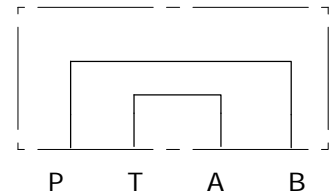
Schema idraulico
Hydraulic diagram



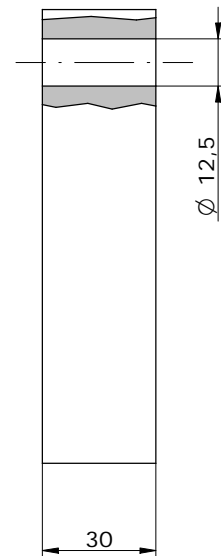
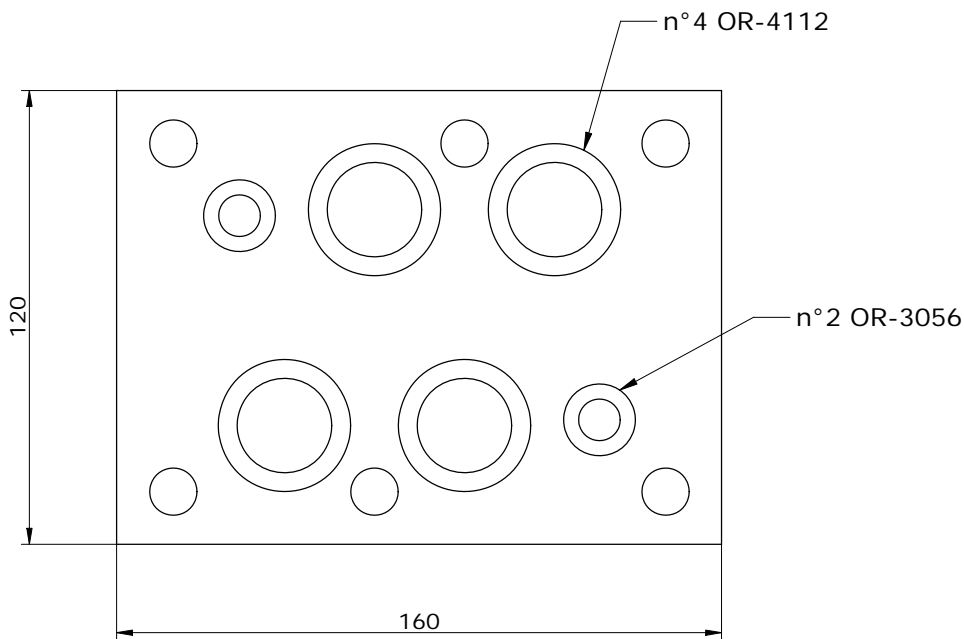
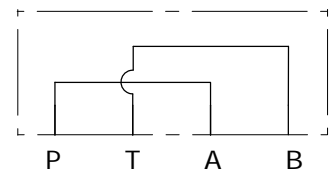
0



1



2



E_ 25 - 00 - 30 - _

**S = STEEL
A = ALUMINUM**

SEE DIAGRAMS