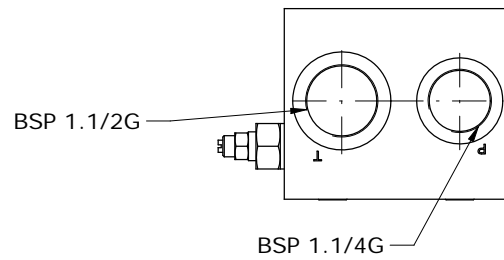
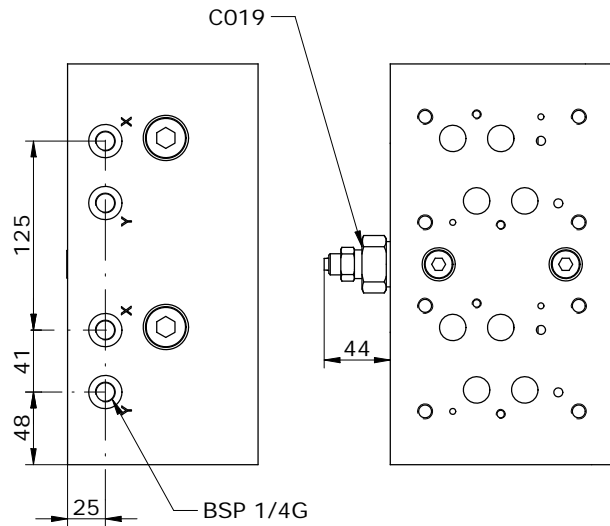
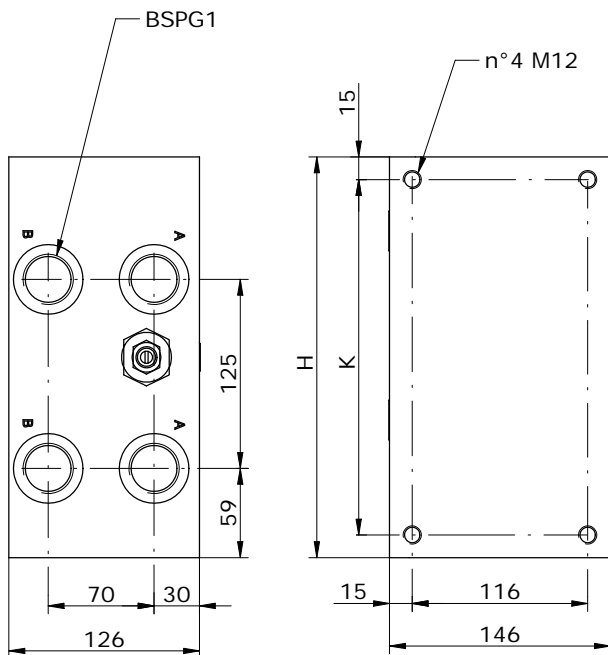
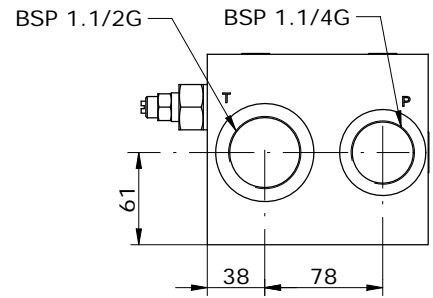
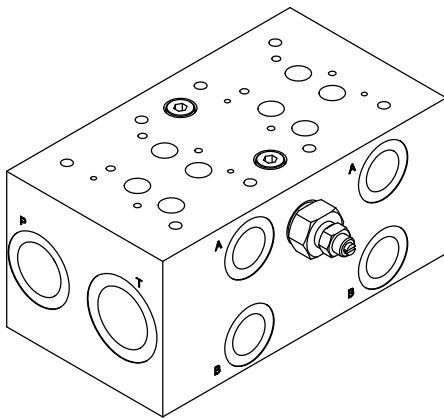
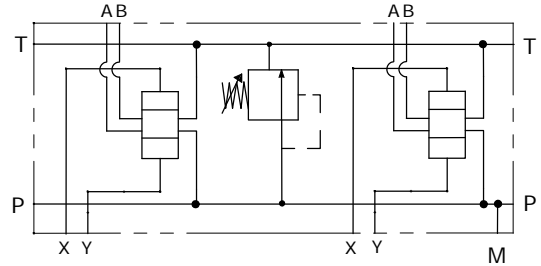


MONOBLOCCO CETOP 7 A-B LATERALI 1", P 1.1/4", T 1.1/2"
 MONOBLOCK CETOP 7 A-B ON SIDE 1", P 1.1/4", T 1.1/2"



Schema idraulico
 Hydraulic diagram



POS.	02	03	04
H	265	390	515
K	235	360	485

E_ 16 - 06 - 100 - _ _ _ _

S = STEEL
 A = ALUMINUM

MOUNTING POSITIONS: 02 ÷ 04

0 = WITHOUT RELIEF VALVE
 1 = 0-50 BAR
 2 = 200-350 BAR

0 = WITHOUT RELIEF VALVE
 1 = WITH RELIEF VALVE
 2 = RELIEF VALVE READY

Via Nicolò Copernico 12/c-d
 29027 Casoli Di Gariga - Podenzano (PC) Italy

www.oleodinamica2mp.it
 Tel +39 0523 523231
 Fax +39 0523 524509