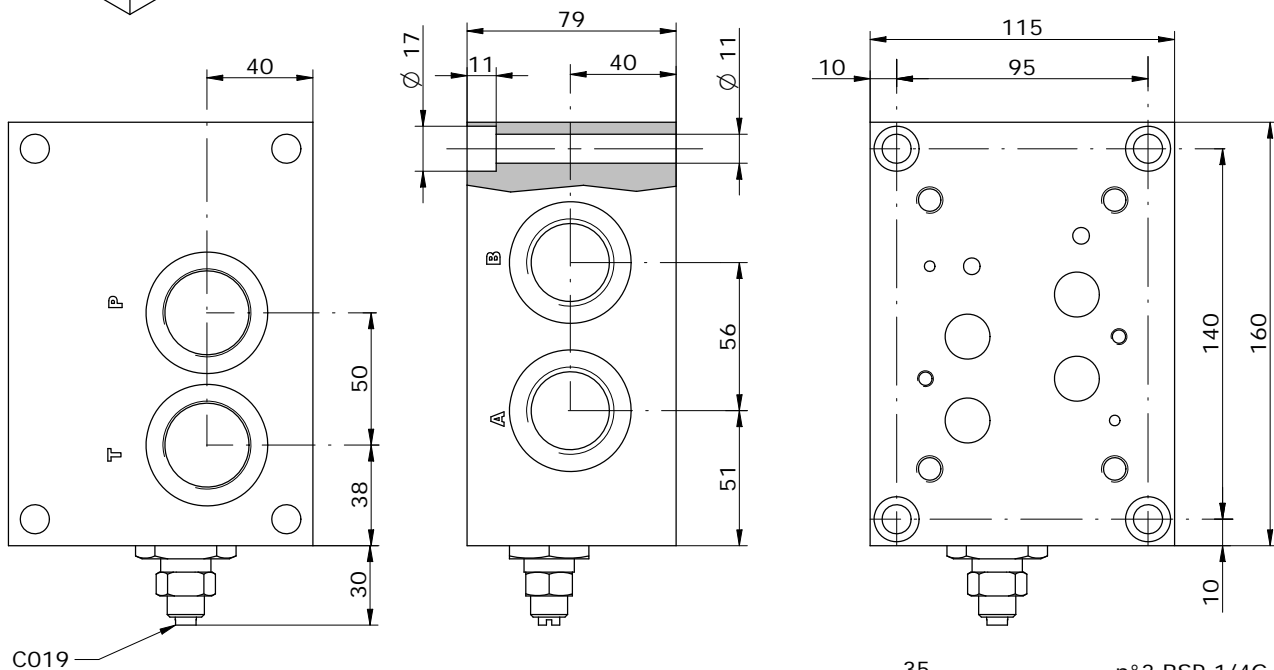
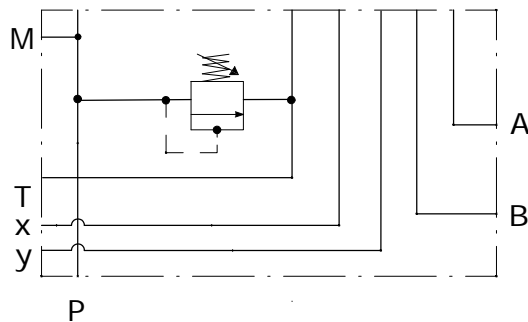


Schema idraulico
 Hydraulic diagram



C019

E_ 16 - 05 - - - -

S = STEEL
 A = ALUMINUM

100 = BSP 1G
 114 = BSP 1.1/4G

0 = WITHOUT RELIEF VALVE
 1 = WITH RELIEF VALVE
 2 = RELIEF VALVE READY

0 = WITHOUT RELIEF VALVE
 1 = 0-250 BAR
 2 = 200-350 BAR