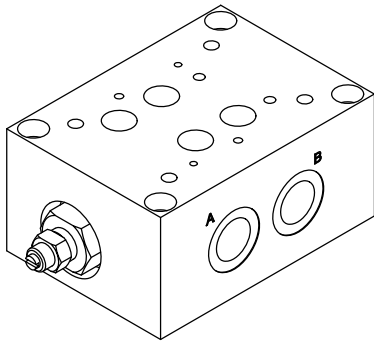
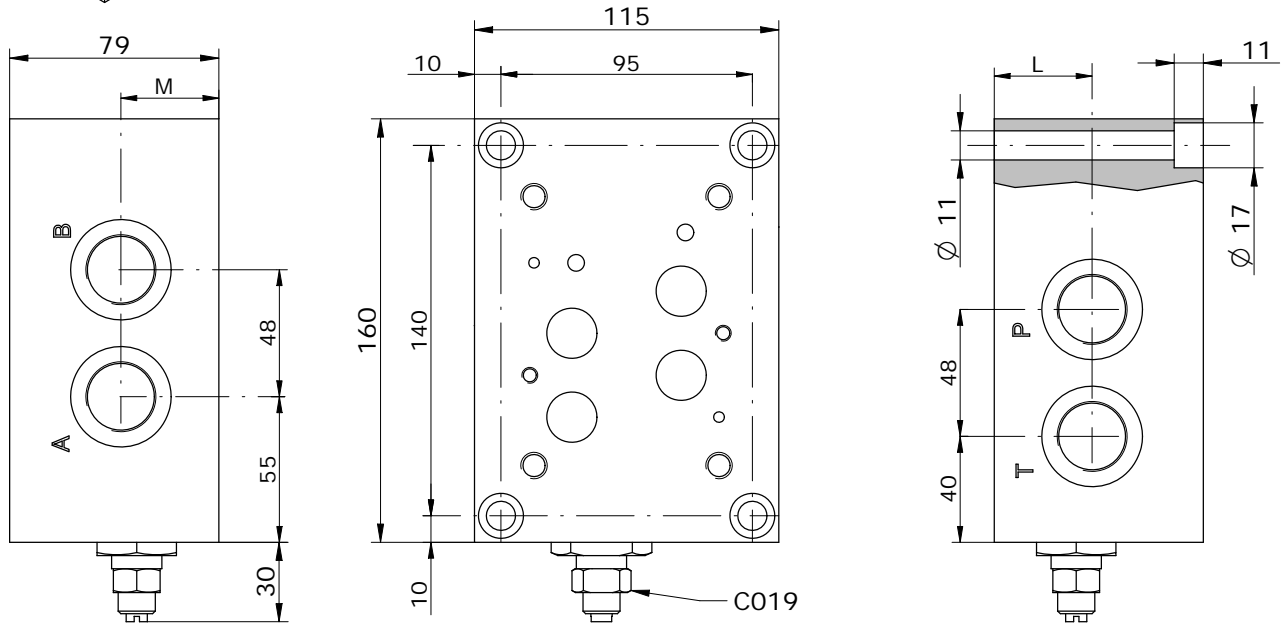
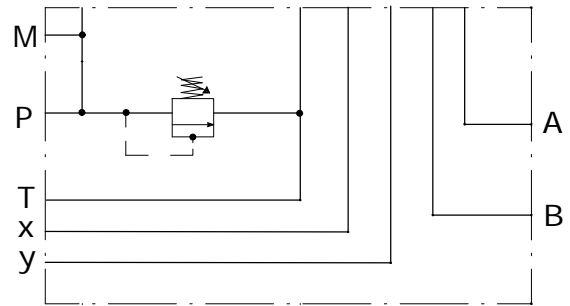


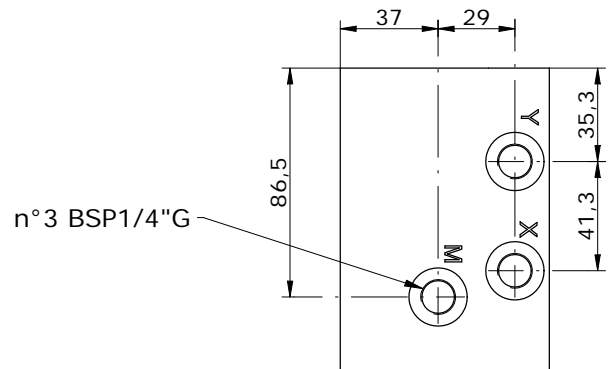
BASE SINGOLA CETOP 7 CON UTILIZZI A-B-P-T LATERALI
SUB-PLATE CETOP 7 WITH A-B-P-T ON SIDE PORTS



Schema idraulico
Hydraulic diagram



VERSION	L	M
E_16-02-34	37	37
E_16-02-100	37	40
E_16-02-114	33	33



E_ 16 - 02 - _____

S = STEEL
A = ALUMINUM

34 = BSP 3/4G
100 = BSP 1G
114 = BSP 1.1/4G

0 = WITHOUT RELIEF VALVE
1 = WITH RELIEF VALVE
2 = RELIEF VALVE READY

0 = WITHOUT RELIEF VALVE
1 = 0-250 BAR
2 = 200-350 BAR