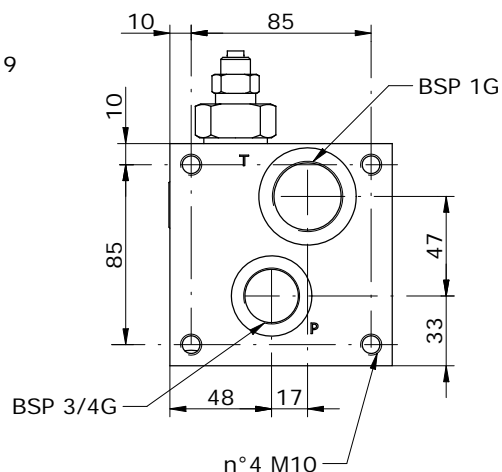
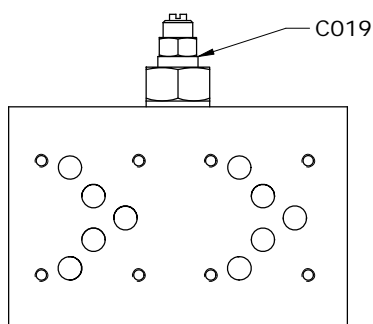
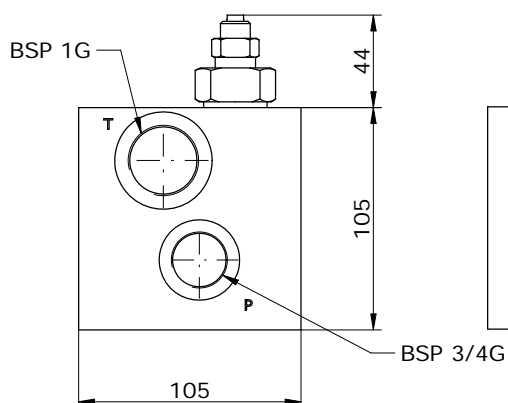
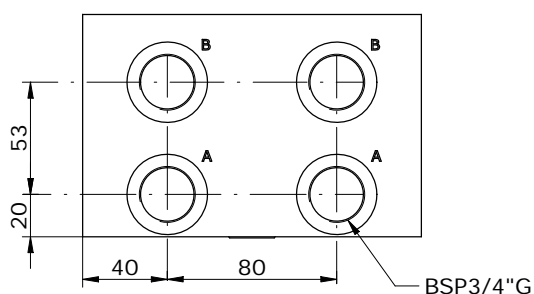
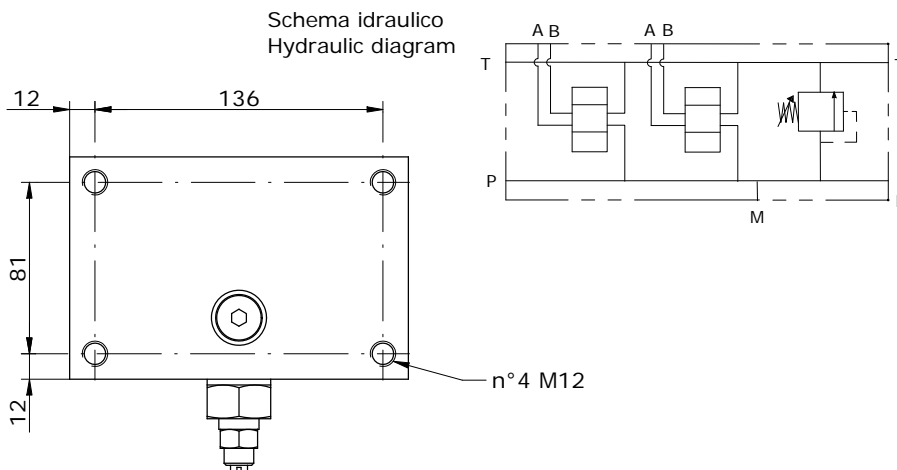
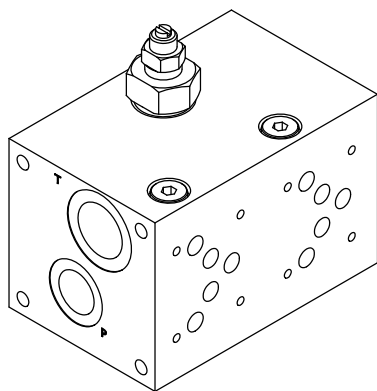


MONOBLOCCO A-B LATERALI 3/4", P 3/4"- T 1"
 MONOBLOCK A-B ON SIDE PORTS 3/4", P 3/4" - T 1"



POS.	02	03	04	05	06	07	08
H	160	240	320	400	480	560	640
K	136	216	296	376	456	536	616

E_ - 10 - 11 - 34 - - - - -

A = ALUMINUM
G = CAST IRON

MOUNTING POSITIONS: 02÷08

0 = WITHOUT RELIEF VALVE
1 = WITH R. V.
2 = R.V. READY

H = HEXAGONAL
 HEAD SCREW
K = KNOB

0 = WITHOUT R.V.
1 = 0-250 BAR
2 = 200-350 BAR

Via Nicolò Copernico 12/c-d
 29027 Casoli Di Gariga - Podenzano (PC) Italy

www.oleodinamica2mp.it
 Tel +39 0523 523231
 Fax +39 0523 524509