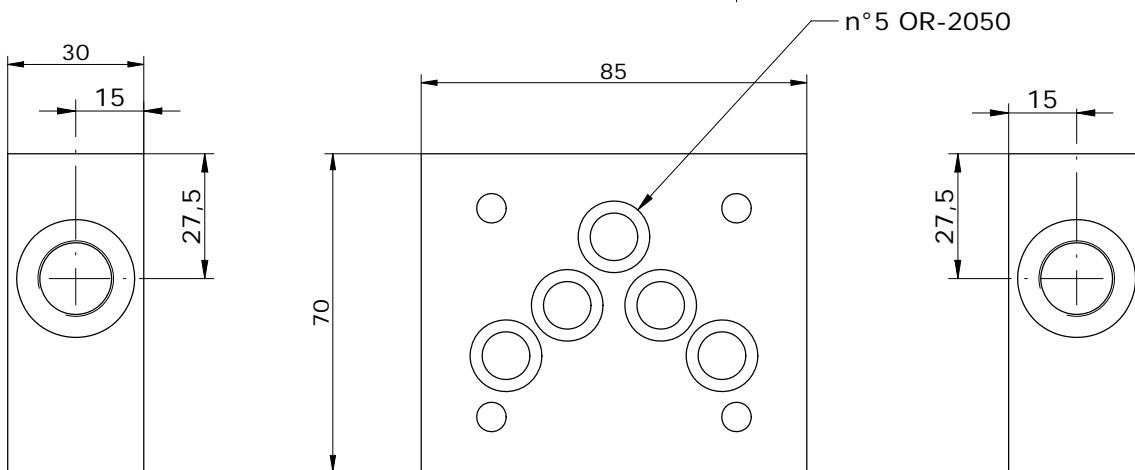
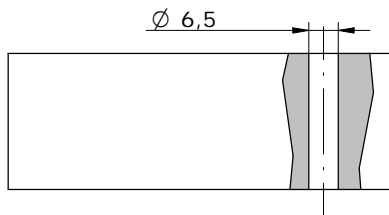
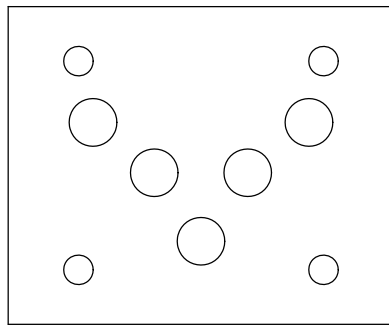


COD.	DIAGRAMS	
	1	A+B
2	A	ON REQUEST
3	B	ON REQUEST
4	P+T	STANDARD
5	P	ON REQUEST
6	T	ON REQUEST
7	P+P	ON REQUEST
8	T+T	ON REQUEST



E_ 10 - 10 - _ - _

S = STEEL
A = ALUMINUM

SEE DIAGRAMS

14 = BSP 1/4G
38 = BSP 3/8G