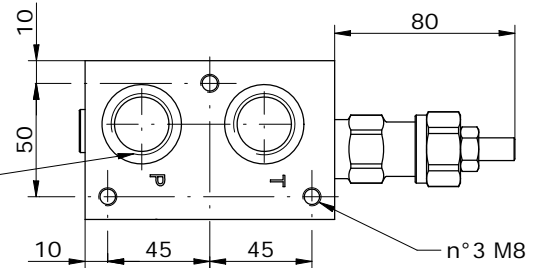
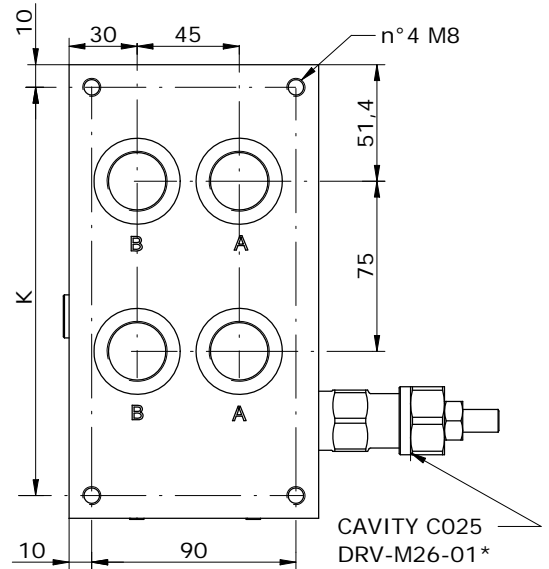
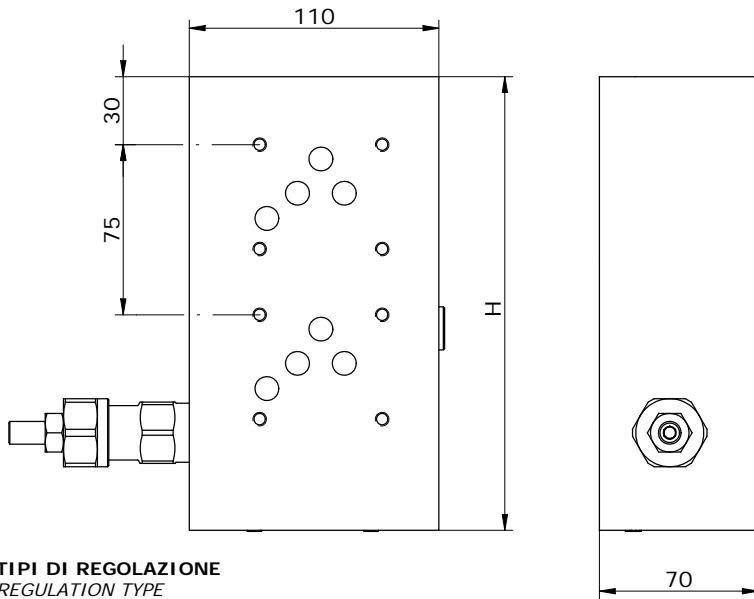
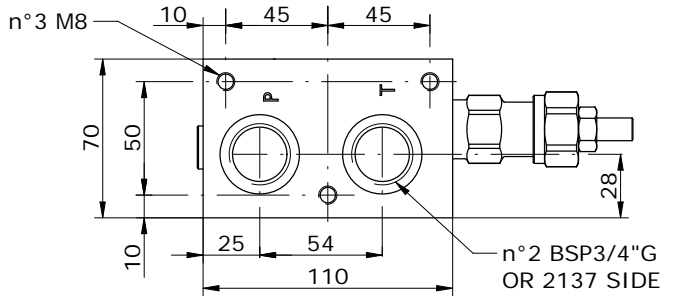
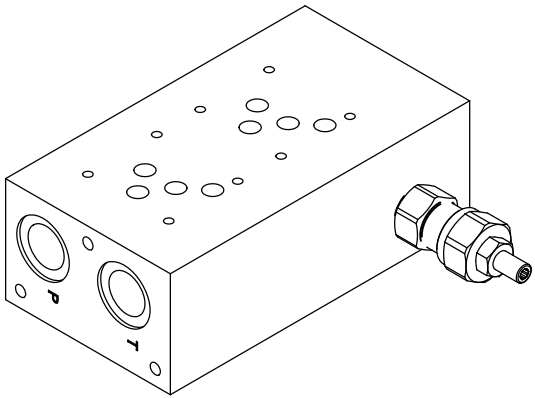
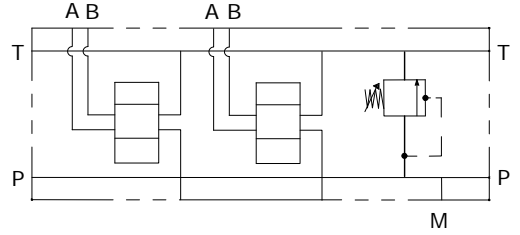


**MONOBLOCCO A-B POSTERIORI, P-T LATERALI 3/4"**  
**MONOBLOCK A-B BACK PORTS, P-T ON SIDE 3/4"**



Schema idraulico  
Hydraulic diagram



**TIPI DI REGOLAZIONE**  
**REGULATION TYPE**

	<b>H</b>	VITE CON CHIAVE ESAGONALE (standard) HEXAGONAL HEAD SCREW
	<b>K</b>	POMOLO KNOB
	<b>C</b>	FISSA CON CAPPUCCIO COVER CAP
	<b>I</b>	INVOLABILE NON ADJUSTABLE

POS.	02	03	04	05	06
H	200	275	350	425	500
K	180	255	330	405	480

**E\_ 10 - 05 -**

**S** = STEEL  
**A** = ALUMINUM

**12** = BSP 1/2G  
**34** = BSP 3/4G

MOUNTING POSITIONS: 02 ÷ 06

**0** = WITHOUT RELIEF VALVE  
**1** = WITH RELIEF VALVE  
**2** = RELIEF VALVE READY

**OMETTERE / OMIT**  
**H** = HEX. HEAD SCREW  
**K** = KNOB  
**C** = COVER CAP  
**I** = NOT ADJUSTABLE

**0** = WITHOUT RELIEF VALVE  
**1** = 5-55 BAR  
**2** = 25-110 BAR  
**3** = 75-250 BAR

\* see **CARTDRIGE VALVES** catalog

Via Nicolò Copernico 12/c-d  
29027 Casoni Di Gariga - Podenzano (PC) Italy

www.oleodinamica2mp.it  
Tel +39 0523 523231  
Fax +39 0523 524509