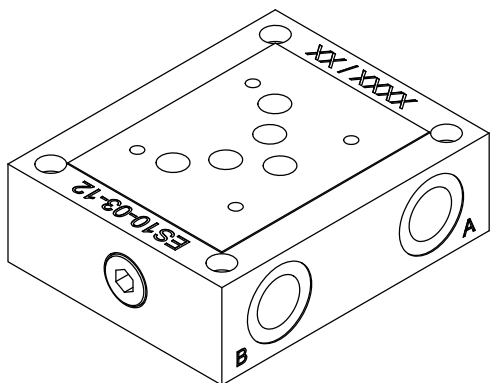
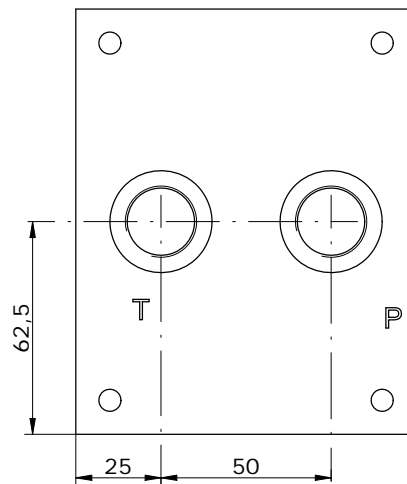
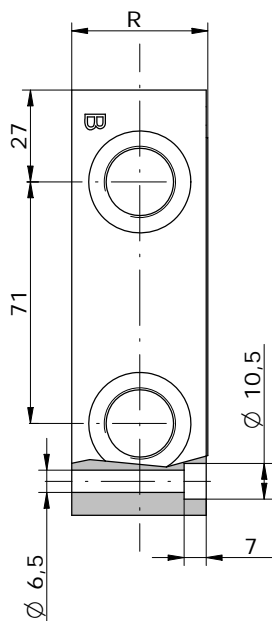
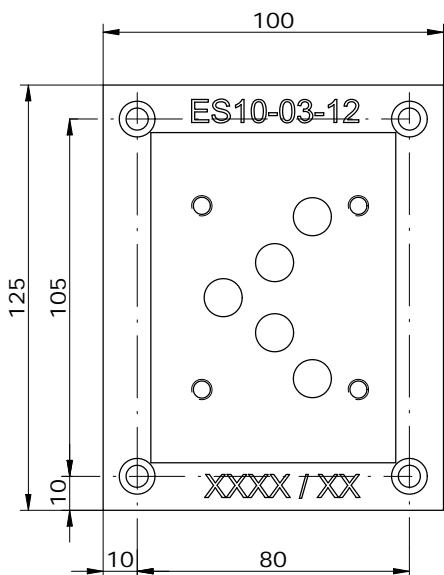
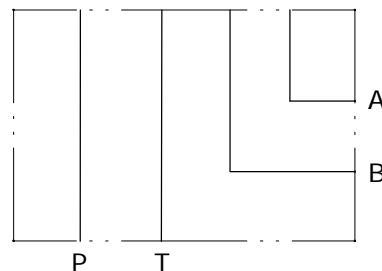


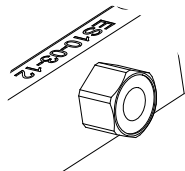
**BASE SINGOLA CETOP 5 CON UTILIZZI A-B LAT. P-T POST.
SUB-PLATE CETOP 5 WITH A-B PORTS ON SIDE P-T BACK**



Schema idraulico
Hydraulic diagram



OPTIONAL:
FITTING FOR GAUGE AND
PRESSURE SWITCH



FG14

| VERSION | R |
|------------|----|
| E_10-03-12 | 40 |
| E_10-03-34 | 45 |

E_ 10 - 03 -

S = STEEL
A = ALUMINUM

12 = BSP 1/2G
34 = BSP 3/4G