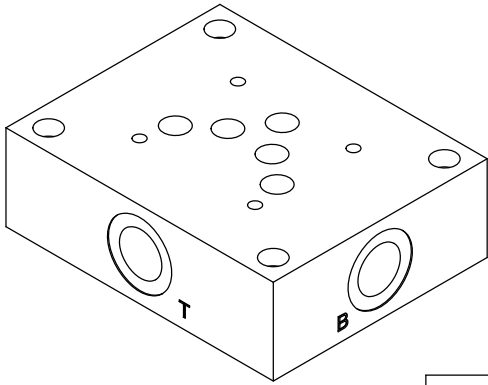
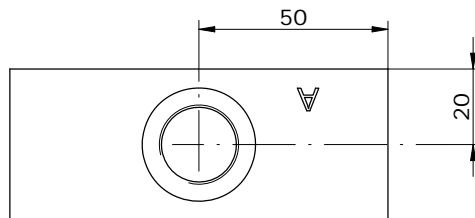
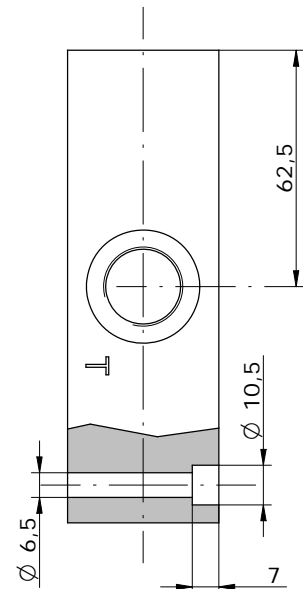
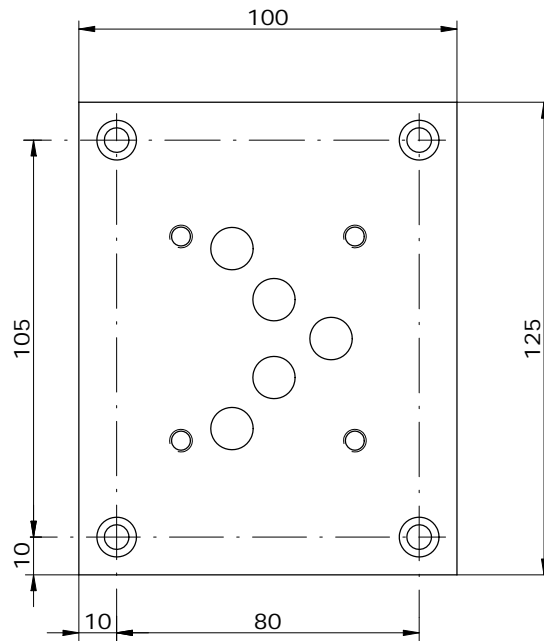
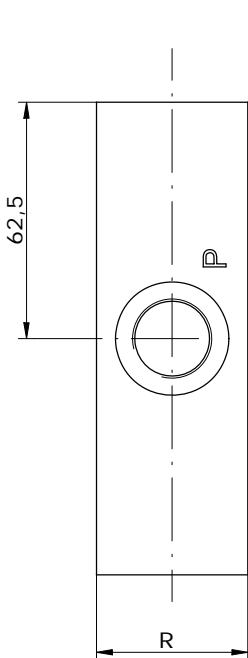
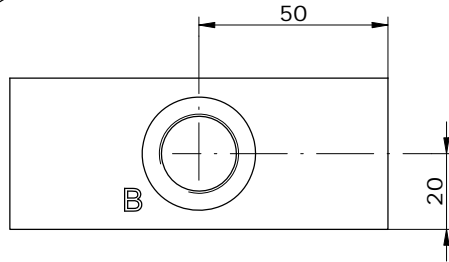
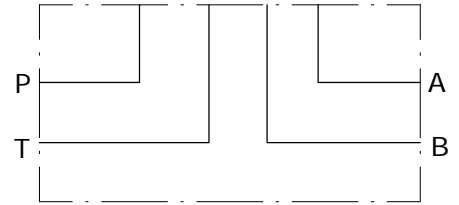


**BASE SINGOLA CETOP 5 CON UTILIZZI A-B-P-T LATERALI**  
**SUB-PLATE CETOP 5 WITH A-B-P-T PORTS ON SIDE**



Schema idraulico  
Hydraulic diagram



VERSION	R
E_10-02-12	40
E_10-02-34	50

**E\_ 10 - 02 -**

**S** = STEEL  
**A** = ALUMINUM

**12** = BSP 1/2G  
**34** = BSP 3/4G