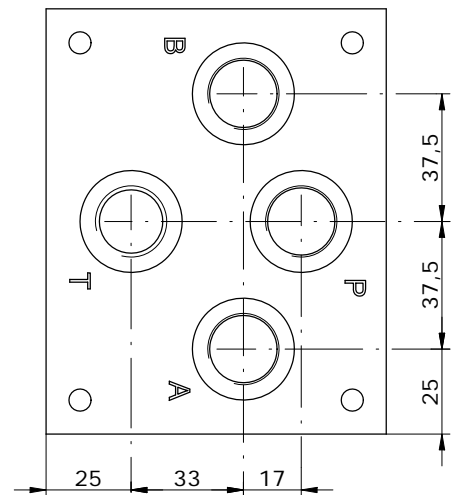
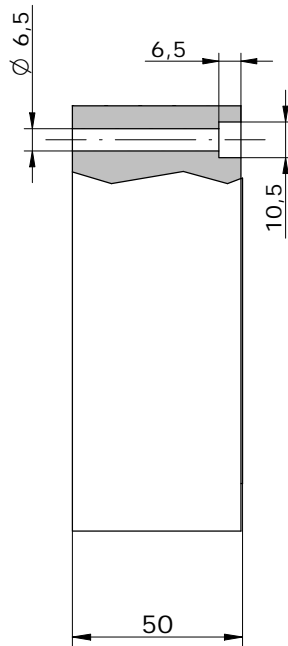
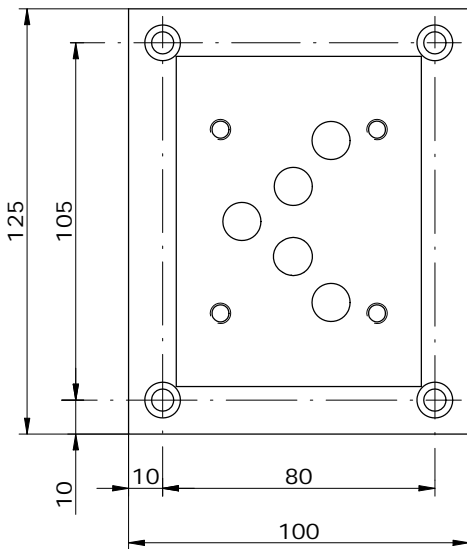
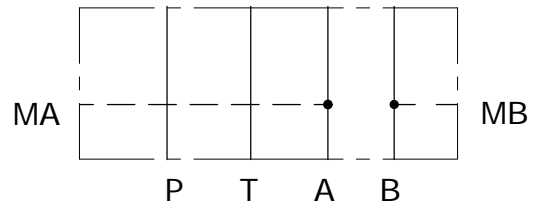
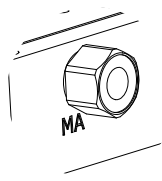


Schema idraulico  
 Hydraulic diagram



**OPTIONAL**  
 FITTING FOR GAUGE AND  
 PRESSURE SWITCH



**FG14**

**E\_ 10 - 01 - \_\_\_\_\_**

**S** = STEEL  
**A** = ALUMINUM

**12** = BSP 1/2G  
**34** = BSP 3/4G