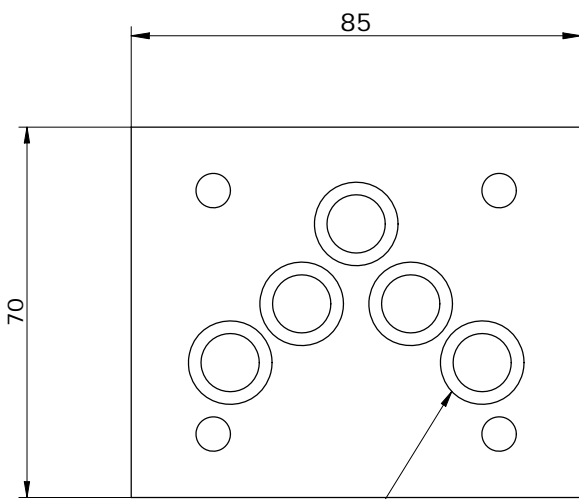
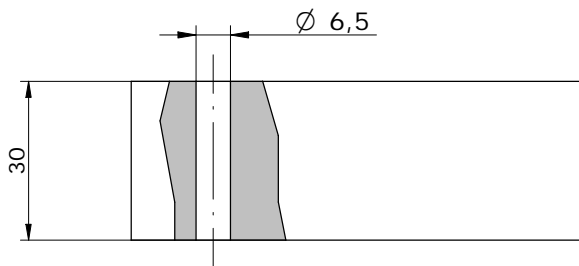
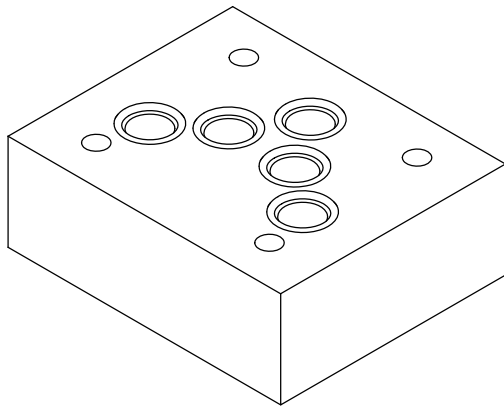
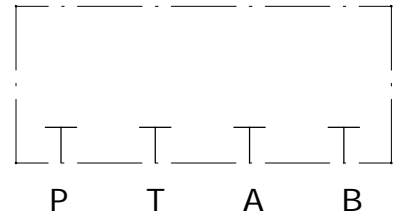


Schema idraulico
 Hydraulic diagram

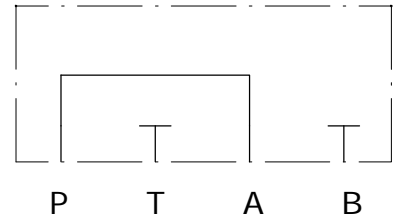


N°5 OR-2050

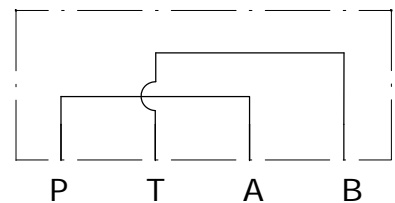
0



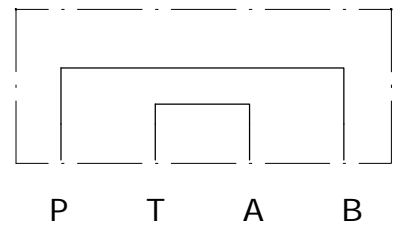
1



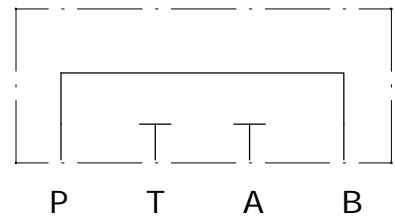
2



3



4



E_ 10 - 00 - 20 - _

S = STEEL
A = ALUMINUM

SEE DIAGRAMS