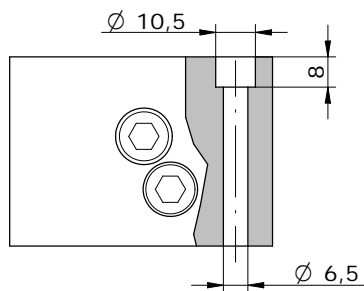
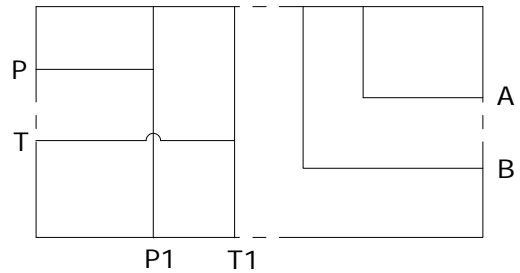
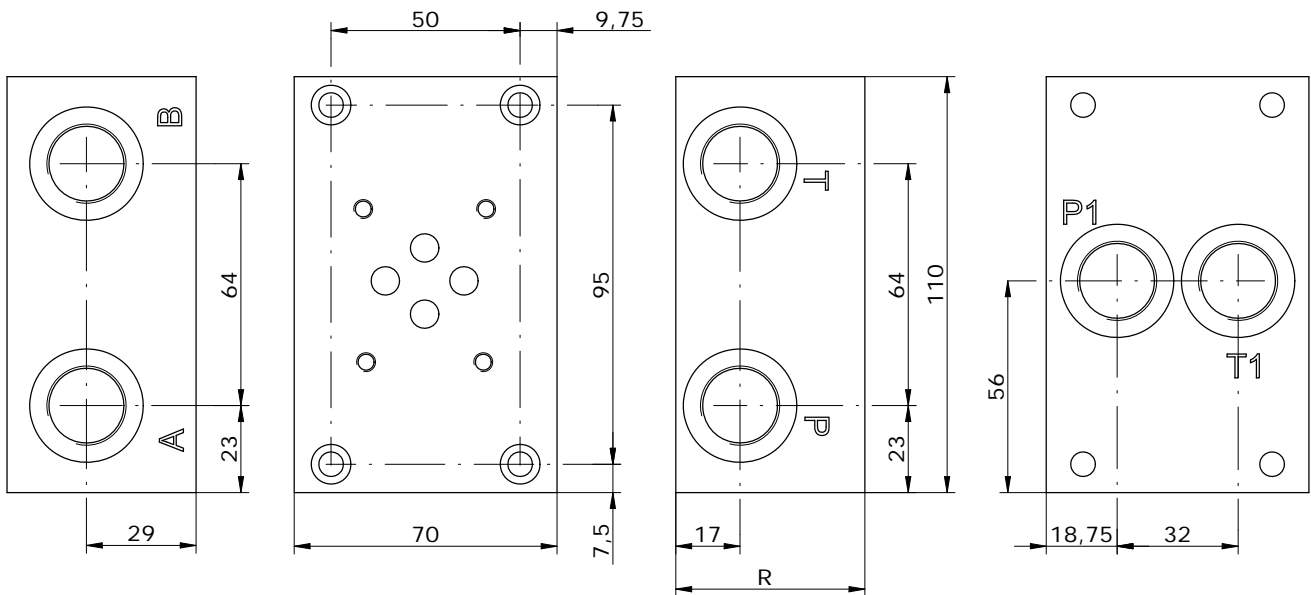


Schema idraulico  
 Hydraulic diagram



VERSION	R
E_06-16-14	45
E_06-16-38	45
E_06-16-12	50



**E\_06 - 16 - \_\_\_\_\_**

**S** = STEEL  
**A** = ALUMINUM

**14** = BSP 1/4G  
**38** = BSP 3/8G  
**12** = BSP 1/2G