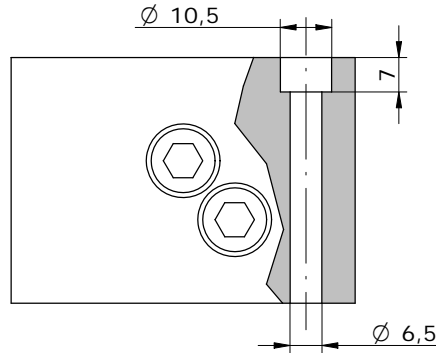
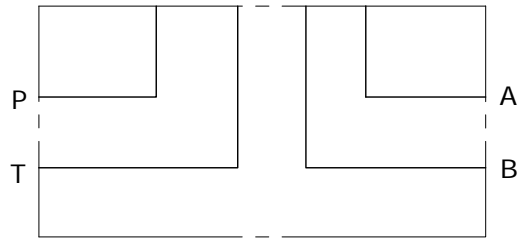
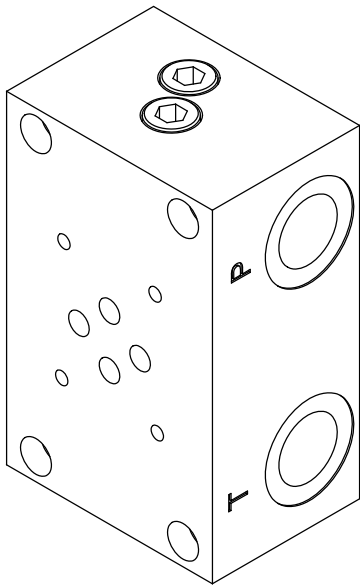


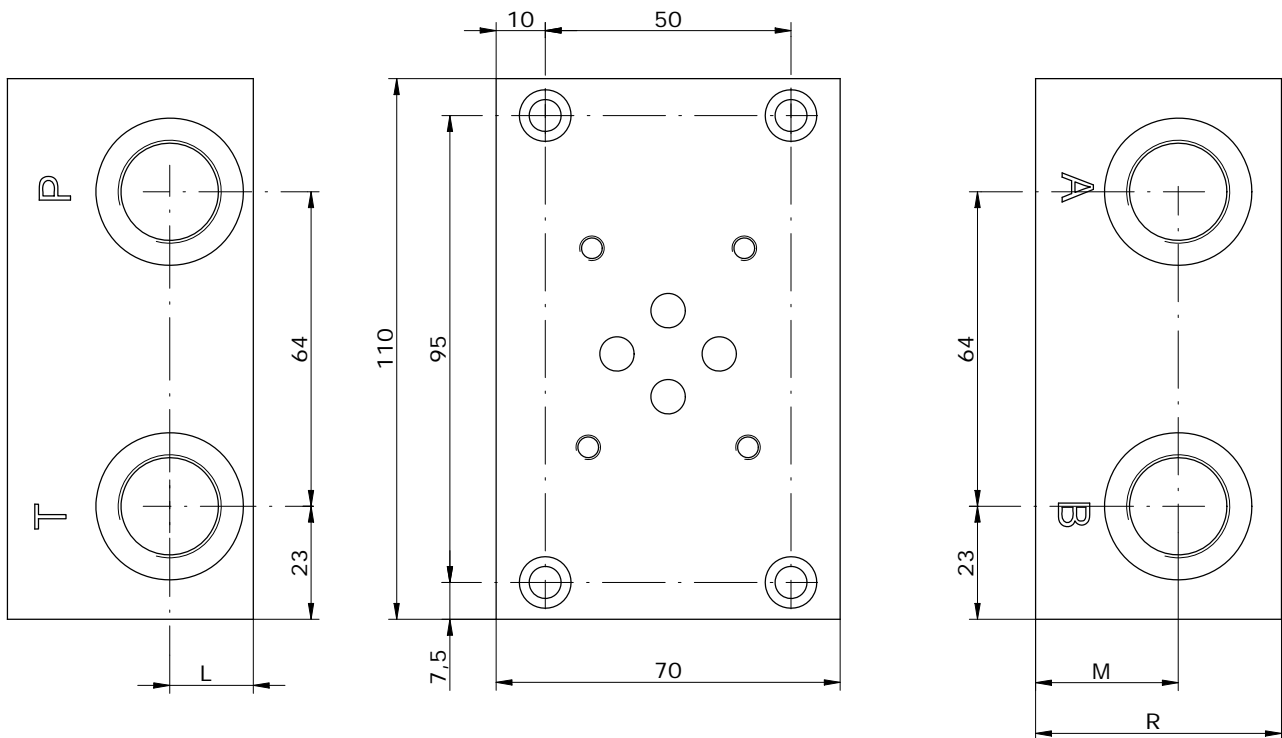
BASE SINGOLA CETOP 3 CON UTILIZZI A-B-P-T LATERALI
SUB-PLATE CETOP 3 WITH A-B-P-T PORTS ON SIDE



Schema idraulico
Hydraulic diagram



| VERSION | R | L | M |
|------------|----|----|----|
| E_06-08-14 | 45 | 15 | 27 |
| E_06-08-38 | 45 | 15 | 27 |
| E_06-08-12 | 50 | 17 | 29 |



E_06 - 08 -

S = STEEL
A = ALUMINUM

14 = BSP 1/4G
38 = BSP 3/8G
12 = BSP 1/2G