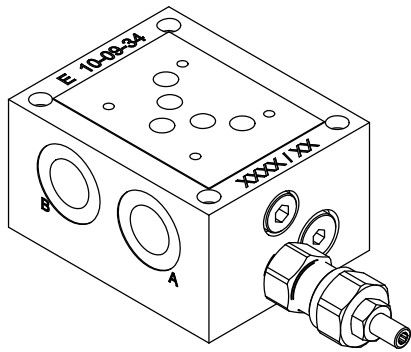
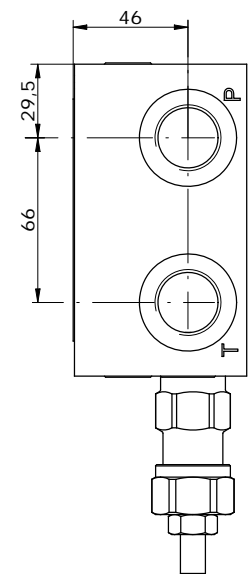
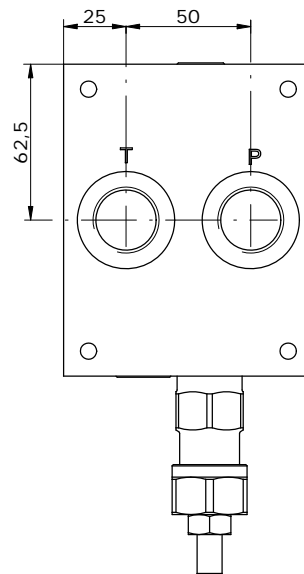
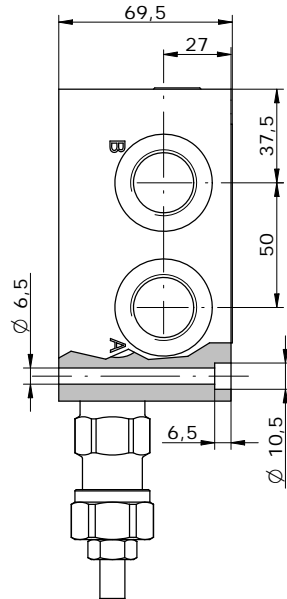
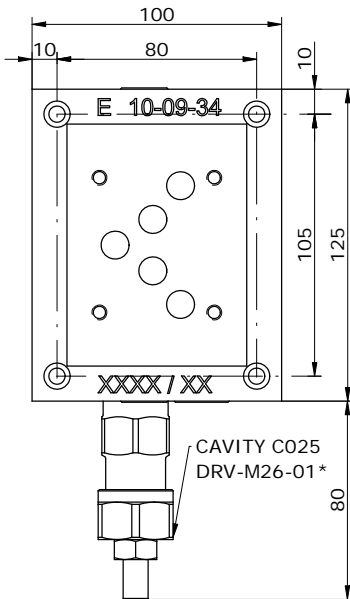
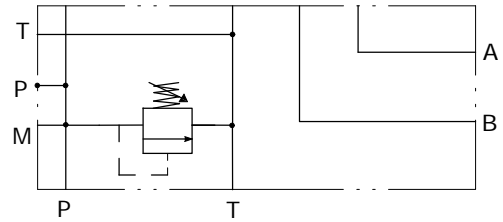


**BASE SINGOLA CETOP 5 IN GHISA CON UTILIZZI A-B-P-T LATERALI,
P-T POSTERIORI
CAST IRON SUB-PLATE CETOP 5 WITH A-B-P-T PORTS ON SIDE, P-T BACK**



Schema idraulico
Hydraulic diagram

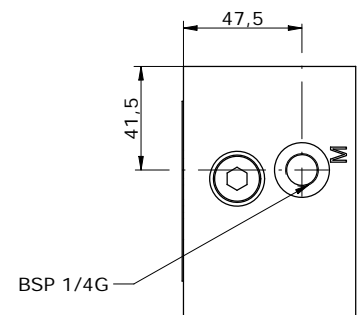
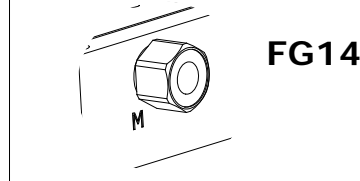


CAVITY C025
DRV-M26-01*

**TIPI DI REGOLAZIONE
REGULATION TYPE**

	H	VITE CON CHIAVE ESAGONALE (standard) HEXAGONAL HEAD SCREW
	K	POMOLO KNOB
	C	FISSA CON CAPPUCCIO COVER CAP
	I	INVIOLABILE NON ADJUSTABLE

**OPTIONAL
FITTING FOR GAUGE AND
PRESSURE SWITCH**



EG 10 - 09 - - - - -

G = CAST IRON

12 = BSP 1/2G
34 = BSP 3/4G

0 = WITHOUT RELIEF VALVE
1 = WITH RELIEF VALVE
2 = RELIEF VALVE READY

OMETTERE / OMIT
H = HEXAGONAL HEAD SCREW
K = KNOB
C = COVER CAP
I = NOT ADJUSTABLE

0 = WITHOUT RELIEF VALVE
1 = 5-55 BAR
2 = 25-110 BAR
3 = 75-250 BAR

* see **CARTDRIGE VALVES** catalog