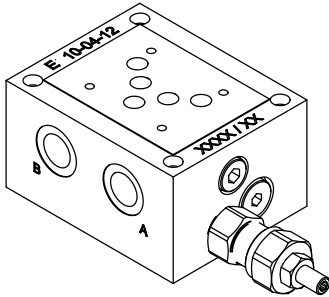
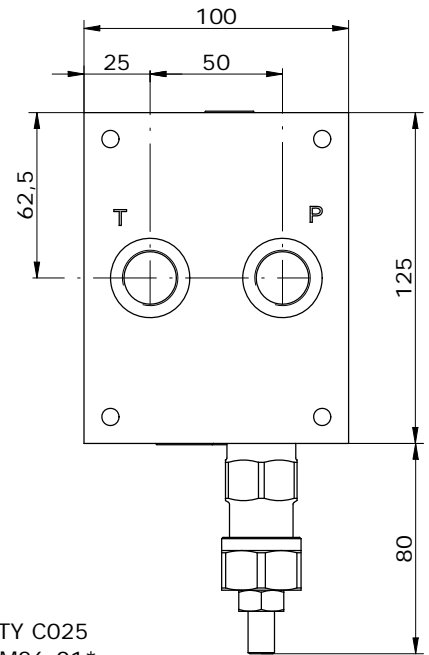
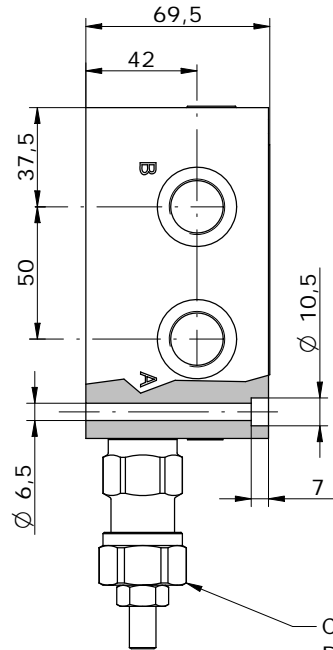
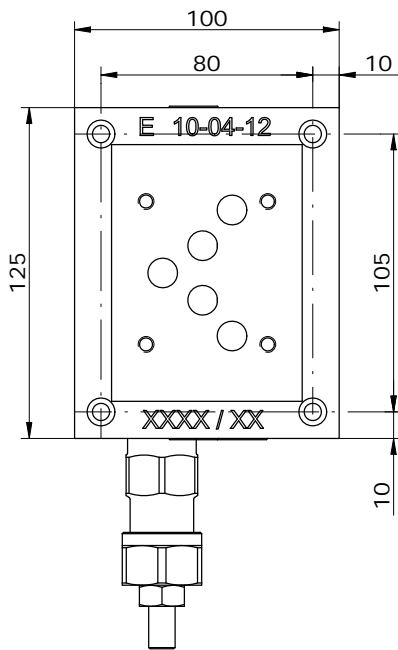
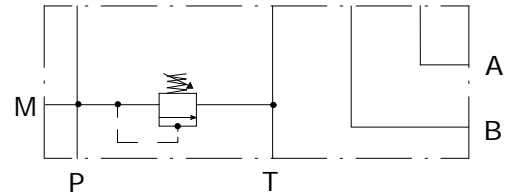


**BASE SINGOLA CETOP 5 IN GHISA CON UTILIZZI A-B LAT. P-T POST.  
CAST IRON SUB-PLATE CETOP 5 WITH A-B PORTS ON SIDE P-T BACK**



Schema idraulico  
Hydraulic diagram

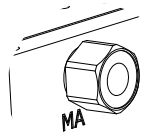


CAVITY C025  
DRV-M26-01\*

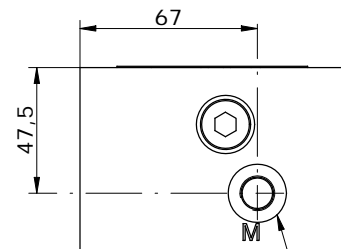
**TIPI DI REGOLAZIONE  
REGULATION TYPE**

	<b>H</b>	VITE CON CHIAVE ESAGONALE (standard) HEXAGONAL HEAD SCREW
	<b>K</b>	POMOLO KNOB
	<b>C</b>	FISSA CON CAPPUCCIO COVER CAP
	<b>I</b>	INVIOLEBBILE NON ADJUSTABLE

**OPTIONAL  
FITTING FOR GAUGE AND  
PRESSURE SWITCH**



**FG14**



BSP 1/4G

**EG 10 - 04 - - - - -**

**G** = CAST IRON

**12** = BSP 1/2G

**34** = BSP 3/4G

**0** = WITHOUT RELIEF VALVE

**1** = WITH RELIEF VALVE

**2** = RELIEF VALVE READY

**OMETTERE / OMIT**

**H** = HEXAGONAL HEAD SCREW

**K** = KNOB

**C** = COVER CAP

**I** = NOT ADJUSTABLE

**0** = WITHOUT RELIEF VALVE

**1** = 5-55 BAR

**2** = 25-110 BAR

**3** = 75-250 BAR

\*see **CARTDRIGE VALVES** catalog

Via Nicolò Copernico 12/c-d  
29027 Casoni Di Gariga - Podenzano (PC) Italy

www.oleodinamica2mp.it  
Tel +39 0523 523231  
Fax +39 0523 524509