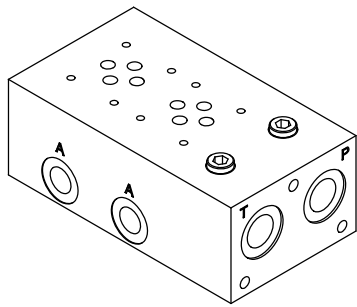
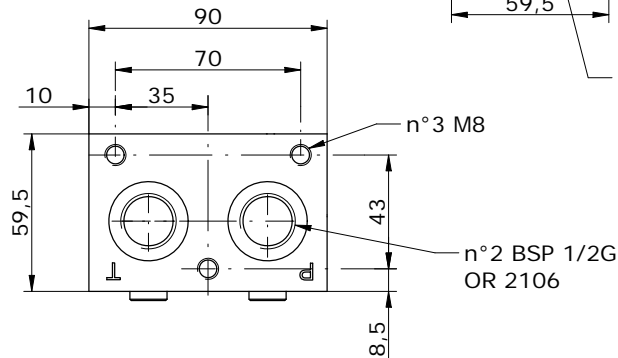
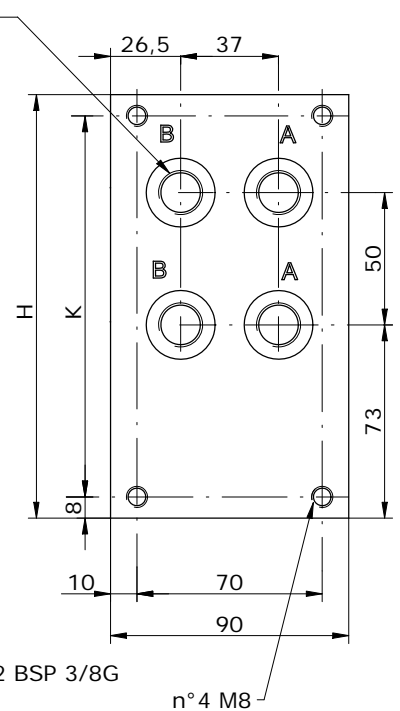
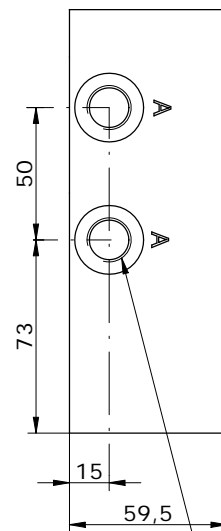
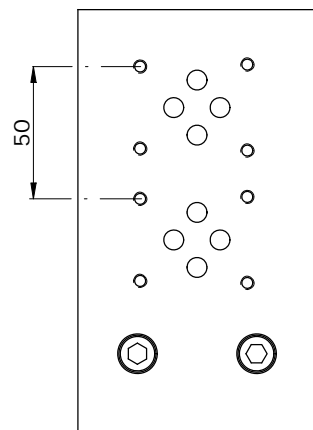
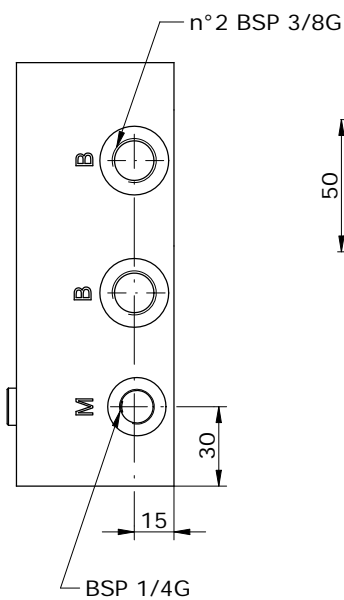
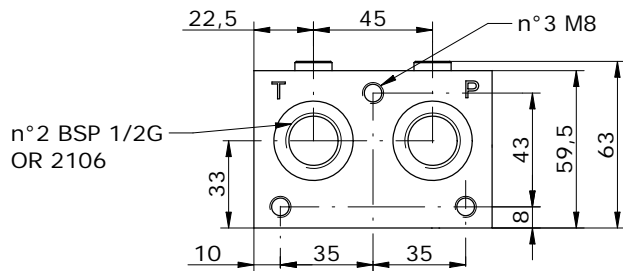
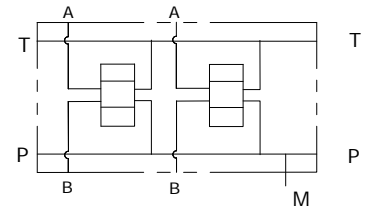


**MONOBLOCCO IN GHISA A-B POSTERIORI 3/8" LATERALI 1/4" (3/8"),
P-T 1/2" BSP
CAST IRON MONOBLOCK A-B BACK PORTS 3/8" ON SIDE 1/4" (3/8"), P-T 1/2" BSP**



Schema idraulico
Hydraulic diagram



EG 06 - 25 - 38 - ___ - ___ - 0

POS.	01	02	03	04	05	06	07	08	09	10
H	110	160	210	260	310	360	410	460	510	560
K	94	144	194	244	294	344	394	444	494	544

