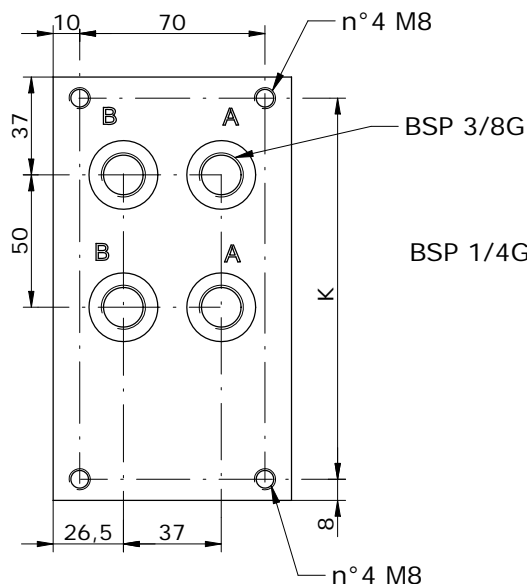
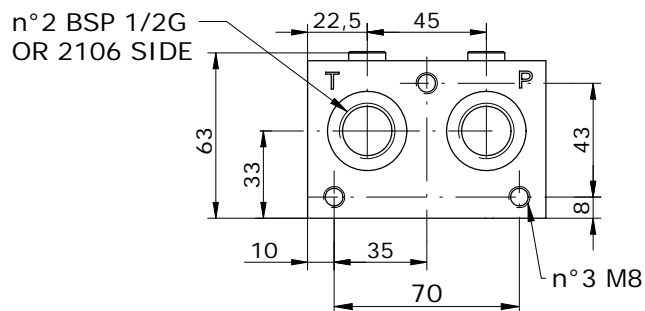
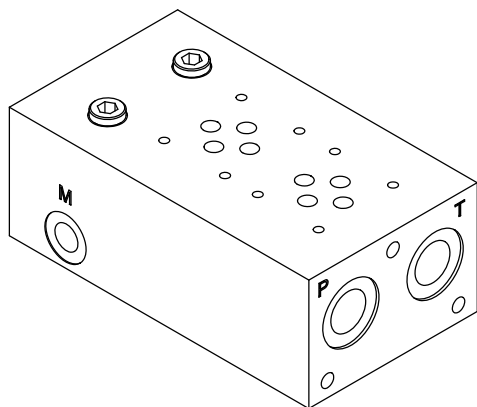
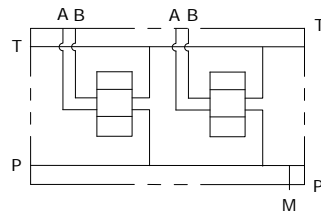


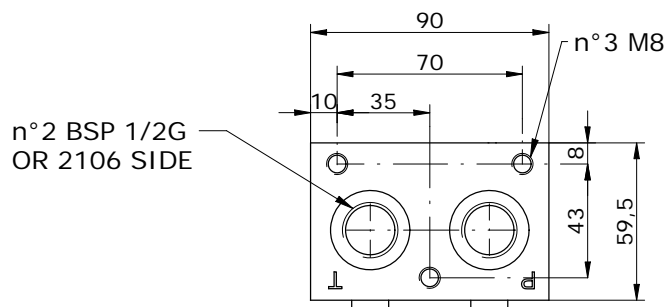
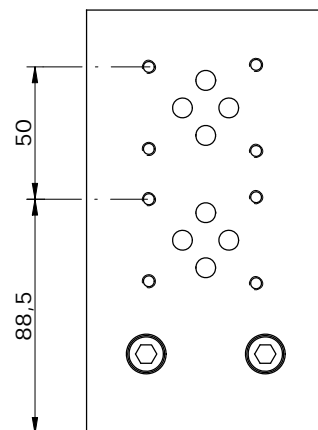
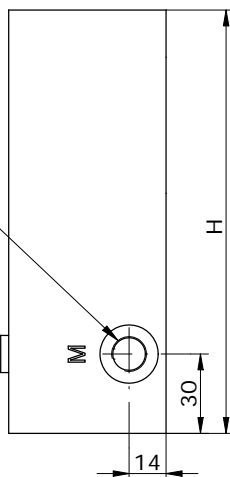
MONOBLOCCO IN GHISA A-B POSTERIORI 3/8", P-T 1/2", CON VALVOLA ELETTRICA OPZIONALE
CAST IRON MONOBLOCK A-B BACK PORTS 3/8" P-T 1/2" WITH OPTIONAL VENTING VALVE



Schema idraulico
Hydraulic diagram



BSP 1/4G



EG 06 - 13 - 38 - ___ - 0

POS.	01	02	03	04	05	06	07	08	09	10
H	110	160	210	260	310	360	410	460	510	560
K	94	144	194	244	294	344	394	444	494	544

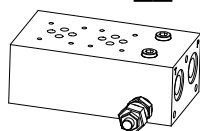
Via Nicolò Copernico 12/c-d
29027 Casoli Di Gariga - Podenzano (PC) Italy

www.oleodinamica2mp.it
Tel +39 0523 523231
Fax +39 0523 524509

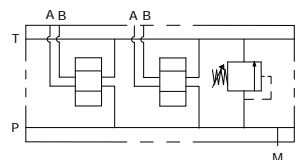
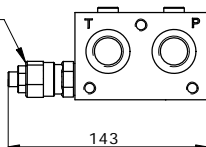
**MONOBLOCCO IN GHISA A-B POSTERIORI 3/8", P-T 1/2", CON VALVOLA ELETTRICA
OPZIONALE
CAST IRON MONOBLOCK A-B BACK PORTS 3/8" P-T 1/2" WITH OPTIONAL VENTING
VALVE**



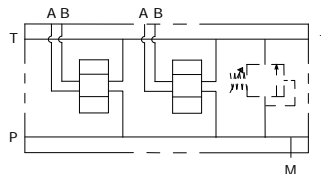
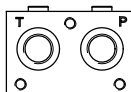
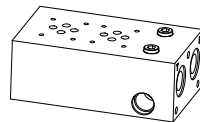
EG 06 - 13 - 38 - ___ - 1



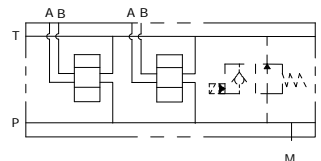
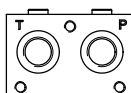
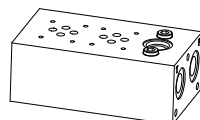
CAVITY C008
DRV-M20-02*



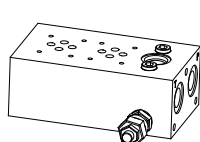
EG 06 - 13 - 38 - ___ - 2



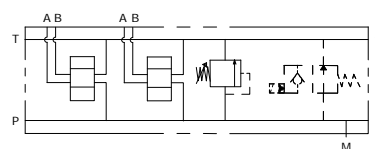
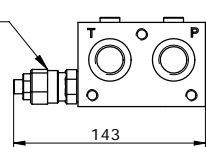
EG 06 - 13 - 38 - ___ - 3



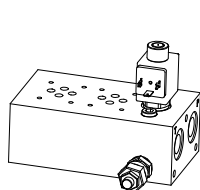
EG 06 - 13 - 38 - ___ - 4



CAVITY C008
DRV-M20-02*

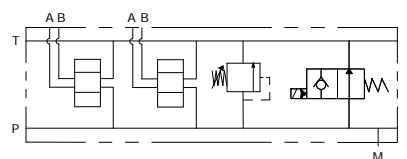
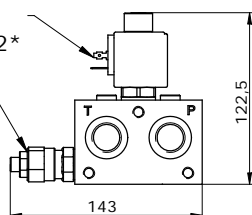


EG 06 - 13 - 38 - ___ - 5

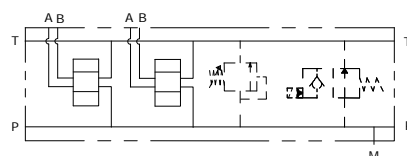
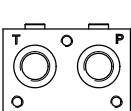
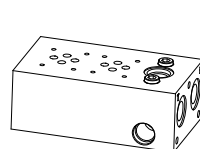


CAVITY C007
SVCP-S08-TS2*

CAVITY C008
DRV-M20-02*



EG 06 - 13 - 38 - ___ - 6



EG 06 - 13 - 38 - _____

G = CAST IRON

MOUNTING POSITIONS: 01-10

- 0 = WITHOUT RELIEF VALVE
- 1 = WITH RELIEF VALVE
- 2 = RELIEF VALVE READY
- 3 = VENTING VALVE READY
- 4 = WITH R.V. AND V.V. READY
- 5 = WITH R.V. AND V.V.
- 6 = V.V. READY AND R.V. READY

- 0 = WITHOUT R.V.
- 1 = 5-50 BAR
- 2 = 20-110 BAR
- 3 = 50-220 BAR
- 4 = 100-350 BAR
- 5 = 100-420 BAR

- 0 = WITHOUT RELIEF VALVE
- H = HEX. HEAD SCREW
- K = KNOB
- C = COVER CAP
- I = NOT ADJUSTABLE



SEALS
N = BUNA
V = VITON

VENTING VALVE
000 = WITHOUT V.V.
TS2 = NORMALLY OPEN

VENTING VALVE
0 = NO MANUAL OVERRIDE
3 = PUSH PIN
4 = PUSH BOTTON
5 = HEX. ALLEN

CONNECTOR TYPE
0 = WITHOUT COIL
C = CAVI / LEADS
D = DIN 43650
G = DEUTSCH DT04-2P
A = AMP JUNIOR

TENSIONE / VOLTAGE
000 = WITHOUT COIL
D12 = 12 VDC
D24 = 24 VDC
220 = 220 RAC

*see **CARTDRIGE VALVES** catalog

Via Nicolò Copernico 12/c-d
29027 Casoni Di Gariga - Podenzano (PC) Italy

www.oleodinamica2mp.it
Tel +39 0523 523231
Fax +39 0523 524509