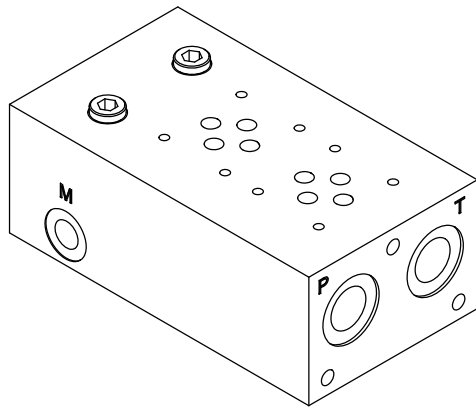
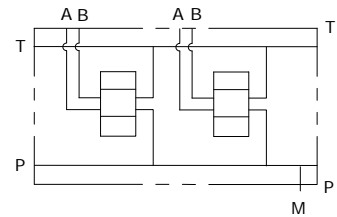


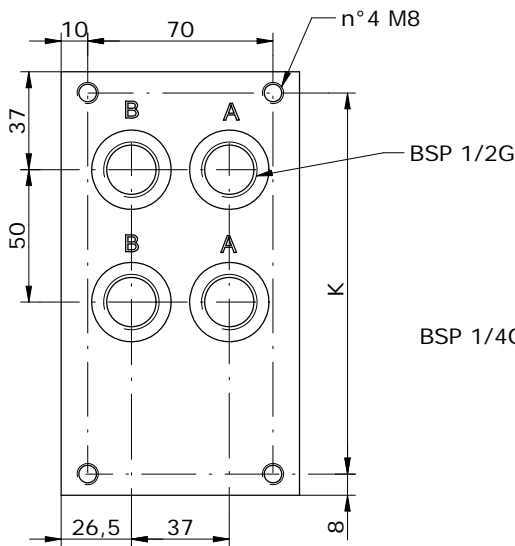
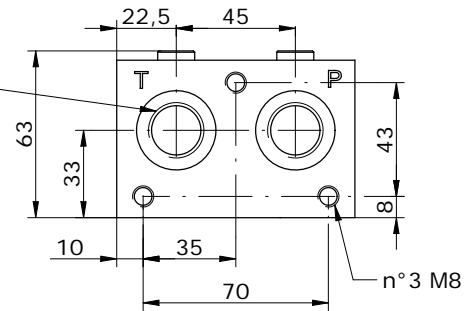
**MONOBLOCCO IN GHISA A-B POSTERIORI 1/2", P-T 1/2" CON VALVOLA ELETTRICA  
OPZIONALE  
CAST IRON MONOBLOCK A-B BACK PORTS 1/2" P-T 1/2" WITH OPTIONAL  
VENTING VALVE**



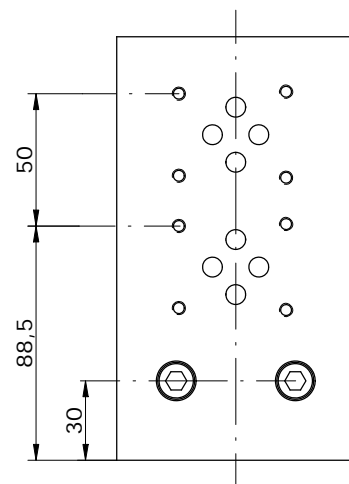
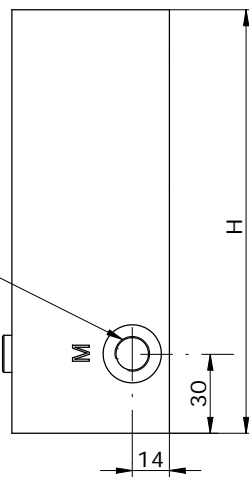
Schema idraulico  
Hydraulic diagram



n°2 BSP 1/2G  
OR 2106 SIDE

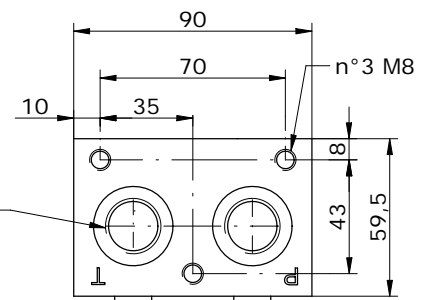


BSP 1/4G



**EG 06 - 13 - 12 - \_\_\_ - 0**

n°2 BSP 1/2G  
OR 2106 SIDE

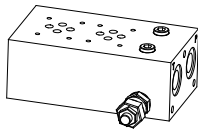


POS.	01	02	03	04	05	06	07	08	09	10
H	110	160	210	260	310	360	410	460	510	560
K	94	144	194	244	294	344	394	444	494	544

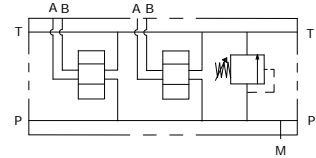
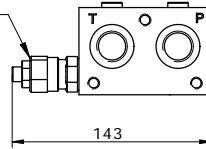
MONOBLOCCO A-B POSTERIORI 1/2", P-T 1/2" CON VALVOLA ELETTRICA OPZIONALE  
 MONOBLOCK A-B BACK PORTS 1/2" P-T 1/2" WITH OPTIONAL VENTING VALVE



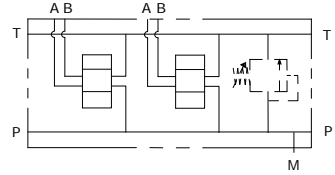
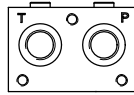
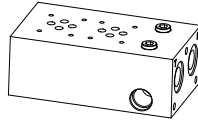
EG 06 - 13 - 12 - \_\_\_ - 1



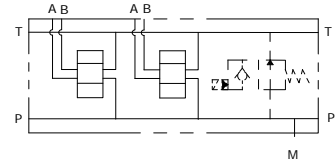
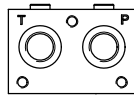
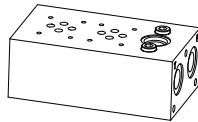
CAVITY C008  
 DRV-M20-02\*



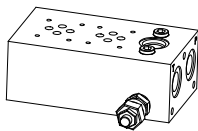
EG 06 - 13 - 12 - \_\_\_ - 2



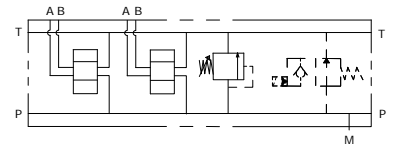
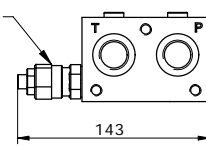
EG 06 - 13 - 12 - \_\_\_ - 3



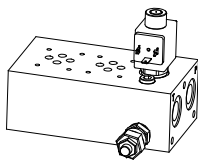
EG 06 - 13 - 12 - \_\_\_ - 4



CAVITY C008  
 DRV-M20-02\*

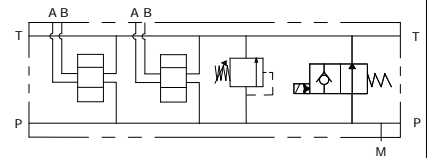
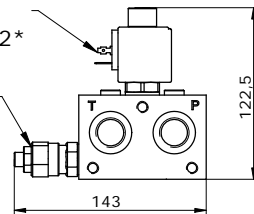


EG 06 - 13 - 12 - \_\_\_ - 5

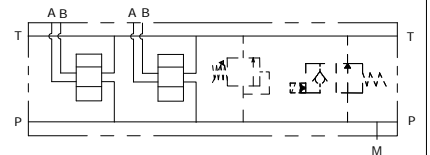
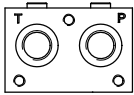
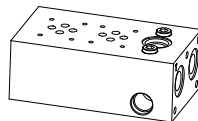


CAVITY C007  
 SVCP-S08-TS2\*

CAVITY C008  
 DRV-M20-02\*



EG 06 - 13 - 12 - \_\_\_ - 6



EG 06 - 13 - 12 - \_\_\_\_\_

G = CAST IRON

MOUNTING POSITIONS: 01 - 10

- 0 = WITHOUT RELIEF VALVE
- 1 = WITH RELIEF VALVE
- 2 = RELIEF VALVE READY
- 3 = VENTING VALVE READY
- 4 = WITH R.V. AND V.V. READY
- 5 = WITH R.V. AND V.V.
- 6 = V.V. READY AND R.V. READY

- 0 = WITHOUT R.V.
- 1 = 5-50 BAR
- 2 = 20-110 BAR
- 3 = 50-220 BAR
- 4 = 100-350 BAR
- 5 = 100-420 BAR

- 0 = WITHOUT RELIEF VALVE
- H = HEX. HEAD SCREW
- K = KNOB
- C = COVER CAP
- I = NOT ADJUSTABLE



- SEALS
- N = BUNA
  - V = VITON

- VENTING VALVE
- 000 = WITHOUT V.V.
  - TS2 = NORMALLY OPEN

- VENTING VALVE
- 0 = NO MANUAL OVERRIDE
  - 3 = PUSH PIN
  - 4 = PUSH BOTTON
  - 5 = HEX. ALLEN

- CONNECTOR TYPE
- 0 = WITHOUT COIL
  - C = CAVI / LEADS
  - D = DIN 43650
  - G = DEUTSCH DT04-2P
  - A = AMP JUNIOR

- TENSIONE / VOLTAGE
- 000 = WITHOUT COIL
  - D12 = 12 VDC
  - D24 = 24 VDC
  - 220 = 220 RAC

\*see *CARTDRIGE VALVES* catalog

Via Nicolò Copernico 12/c-d  
 29027 Casoni Di Gariga - Podenzano (PC) Italy

www.oleodinamica2mp.it  
 Tel +39 0523 523231  
 Fax +39 0523 524509