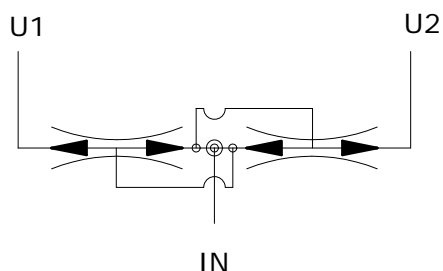
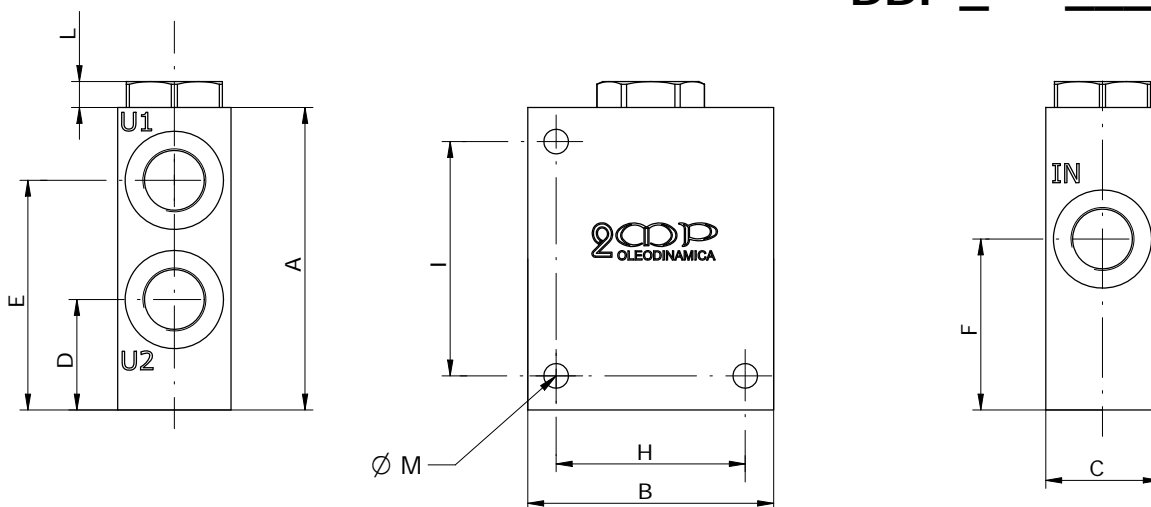


Schema idraulico
 Hydraulic diagram



DDF _ - _



TYPE	IN	U1	U2	A	B	C	D	E	F	H	I	L	HEX	M
09	1/4"	1/4"	1/4"	80	65	30	30	61	45	50	62	8	25	6,5
15	3/8"	3/8"	3/8"	80	65	30	30	61	45	50	62	8	25	6,5
23	3/8"	3/8"	3/8"	80	65	30	30	61	45	50	62	8	25	6,5
34	3/8"	3/8"	3/8"	80	65	30	30	61	45	50	62	8	25	6,5
45	1/2"	3/8"	3/8"	80	70	30	30	61	45	50	62	8	25	6,5
60	3/4"	1/2"	1/2"	120	80	40	42	90	66	60	102	9,5	32	6,5
90	3/4"	1/2"	1/2"	120	80	40	42	90	66	60	102	9,5	32	6,5
100	1"	3/4"	3/4"	120	100	50	37	95	66	82	102	12	38	8,5
128	1"	3/4"	3/4"	120	100	50	37	95	66	82	102	12	38	8,5
170	1"	3/4"	3/4"	120	100	50	37	95	66	82	102	12	38	8,5
200	1.1/4"	1"	1"	120	120	60	37	95	66	82	102	12	38	8,5

DDF -

S = STEEL
A = ALUMINUM

INLET FLOW:

- 009** = UP TO 9L/min
- 015** = UP TO 15L/min
- 023** = UP TO 23L/min
- 034** = UP TO 34L/min
- 045** = UP TO 45L/min
- 060** = UP TO 60L/min
- 090** = UP TO 90L/min
- 100** = UP TO 100L/min
- 128** = UP TO 128L/min
- 170** = UP TO 170L/min
- 200** = UP TO 200L/min

PERFORMANCE

