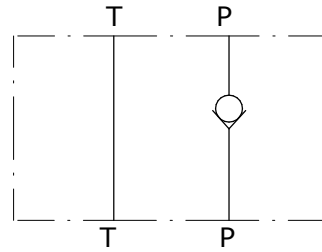
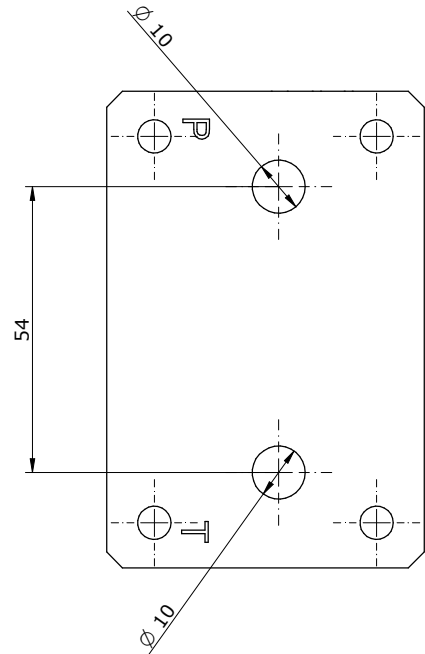
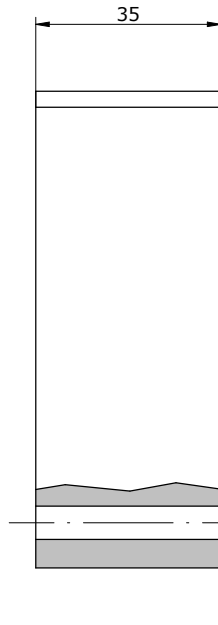
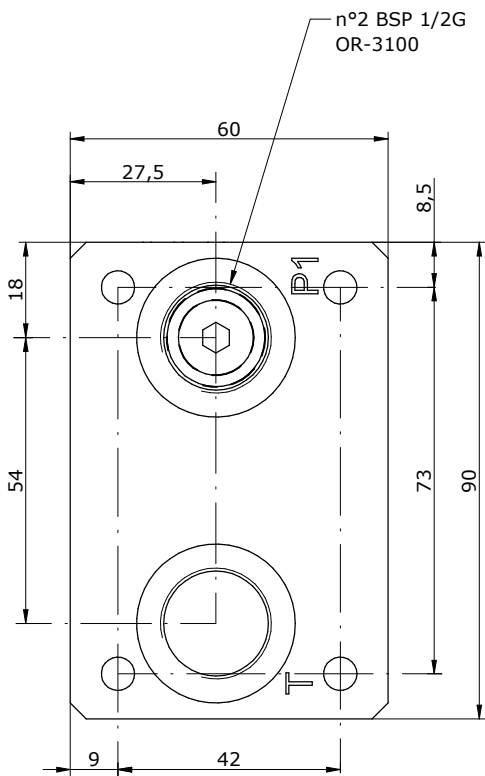
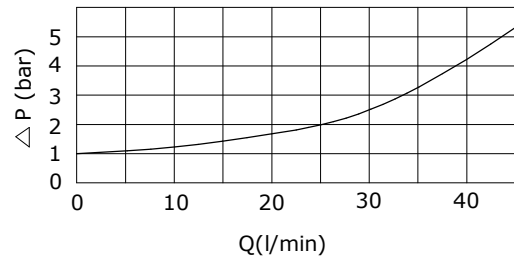


Schema idraulico  
 Hydraulic diagram



**PRESSURE DROP**



# E\_ 610 - 22

**S** = STEEL  
**A** = ALUMINIUM