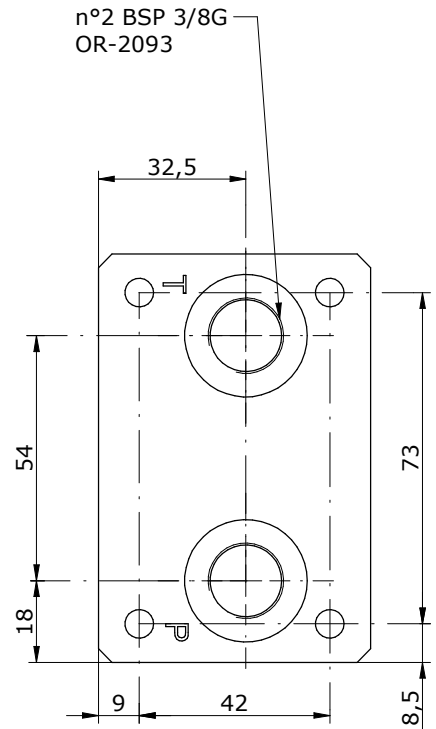
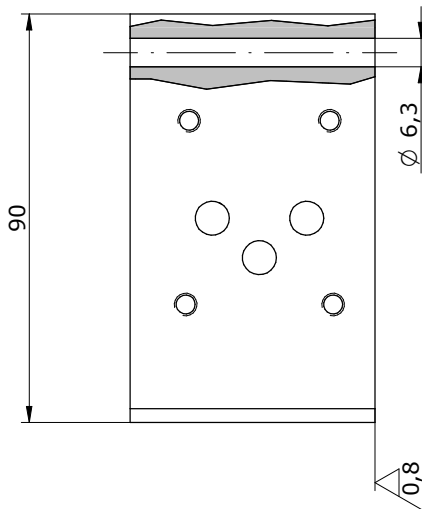
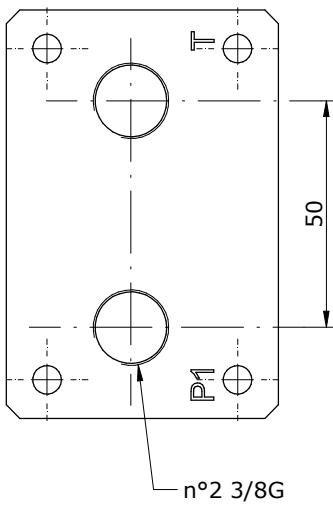
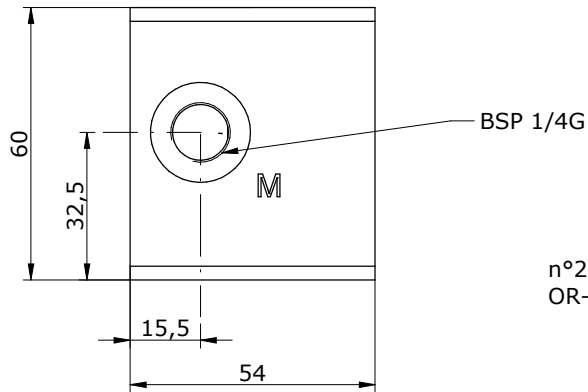
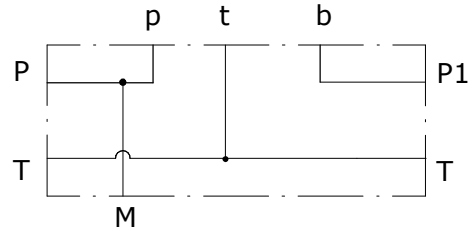


Schema idraulico  
 Hydraulic diagram



# E\_ 610 - 11

**S** = STEEL  
**A** = ALUMINIUM