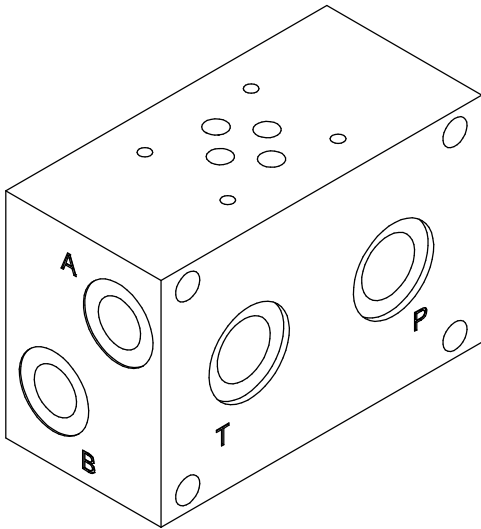
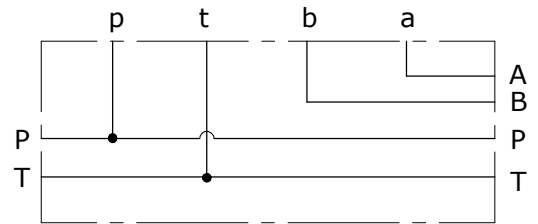
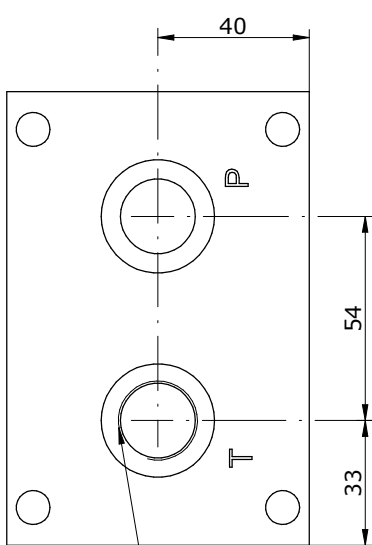
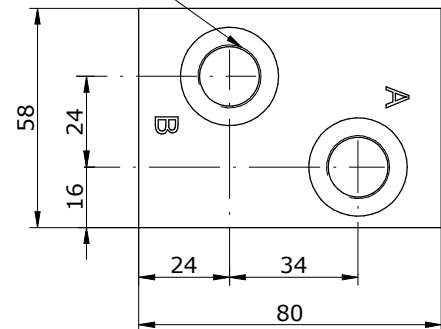


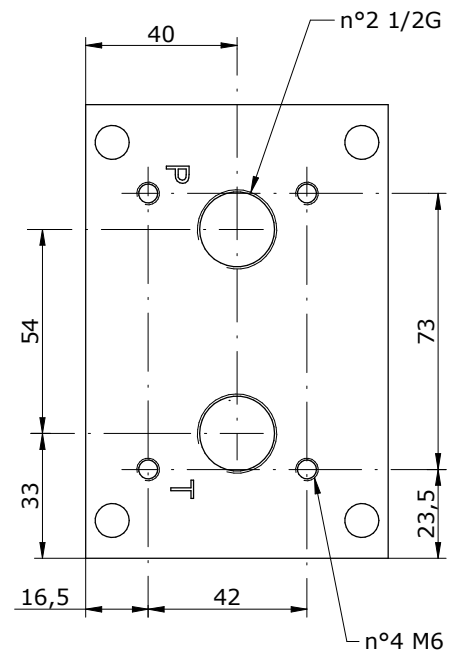
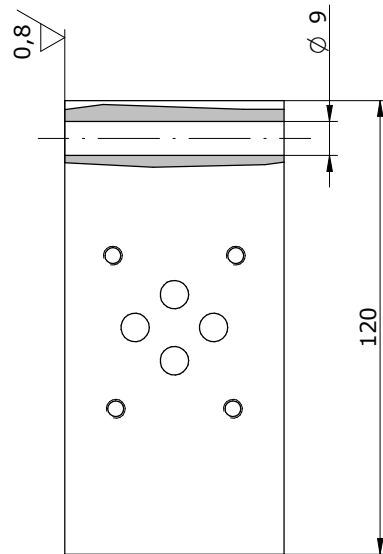
Schema idraulico
 Hydraulic diagram



n°2 BSP 3/8G



n°2 BSP 1/2G
 OR-3100



n°4 M6

E_ 610 - 28 - 38

S = STEEL
A = ALUMINIUM