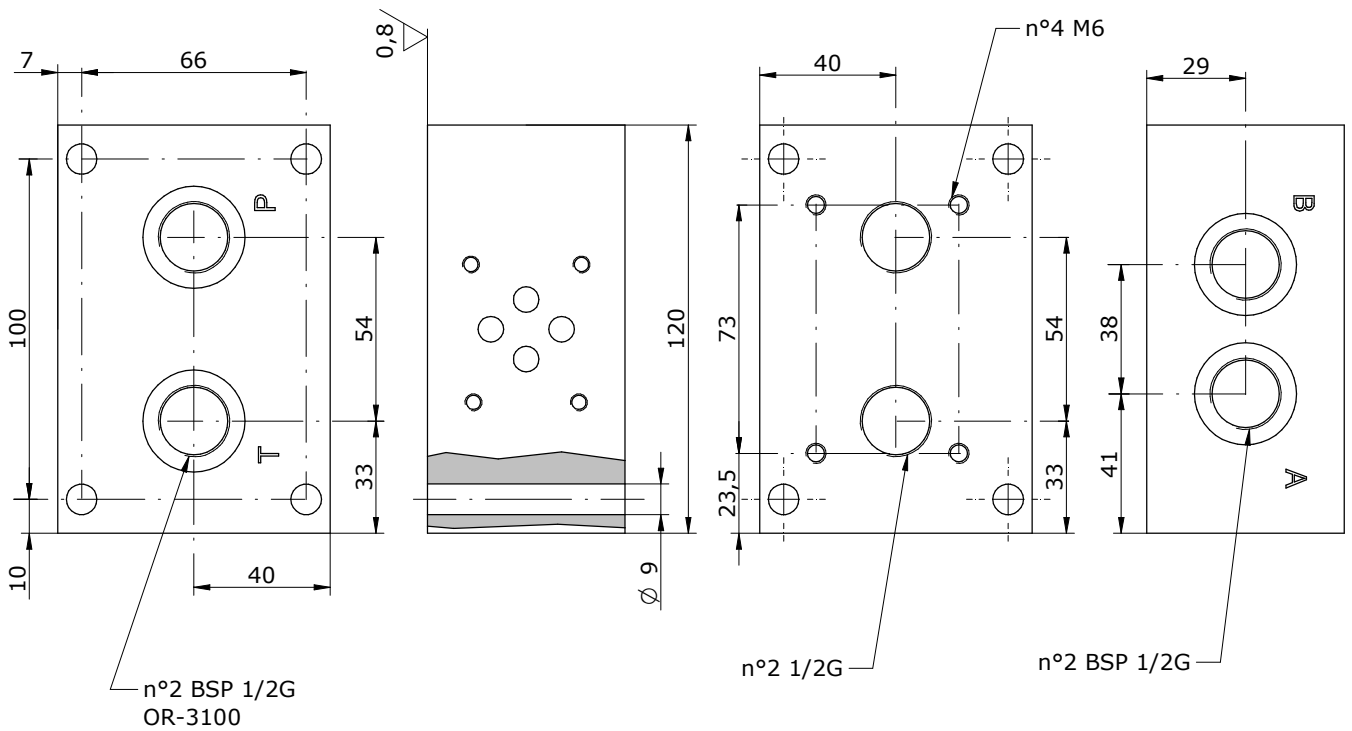
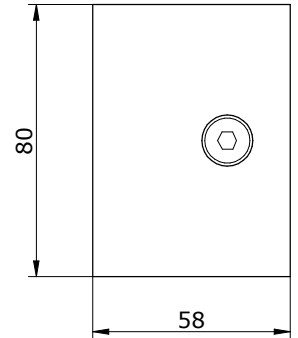
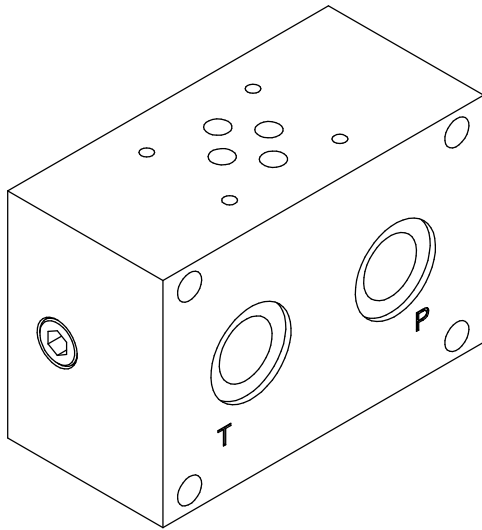
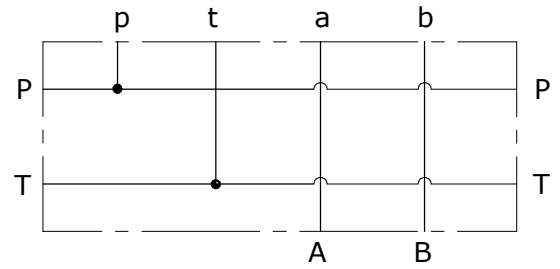


Schema idraulico  
 Hydraulic diagram



# E\_ 610 - 27 - 12

**S** = STEEL  
**A** = ALUMINIUM