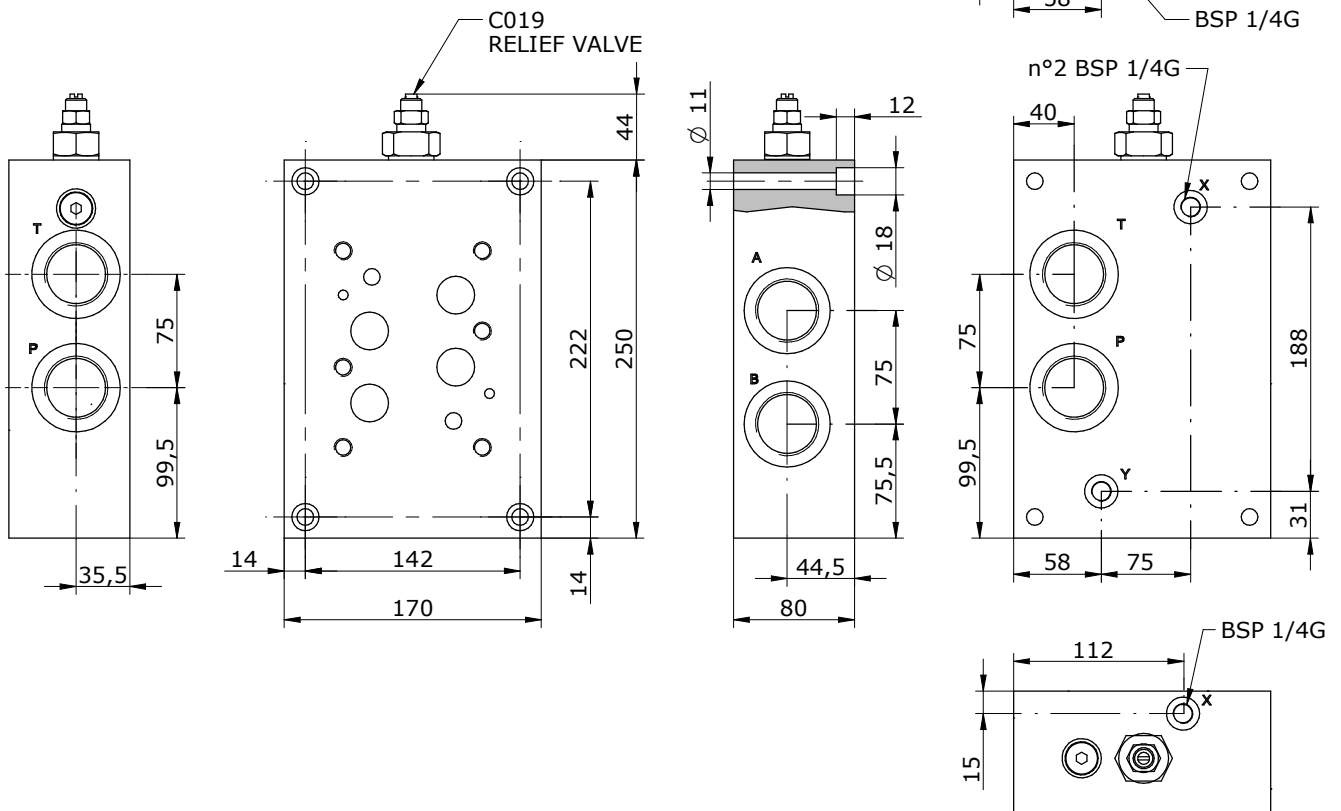
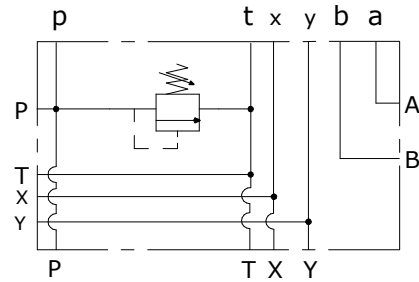
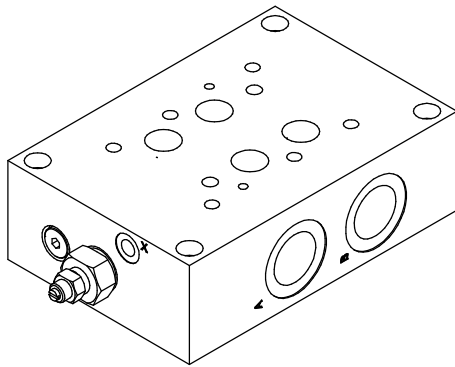


Schema idraulico
 Hydraulic diagram



E_ 25 - 01 - - - -

S = STEEL

114 = 1.1/4G

112 = 1.1/2G

0 = WITHOUT RELIEF VALVE (PLUGGED CAVITY)

1 = WITH RELIEF VALVE

2 = RELIEF VALVE READY

0 = WITHOUT RELIEF VALVE

1 = 10-245 bar

2 = 240-350 bar