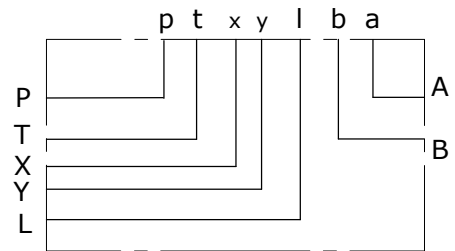
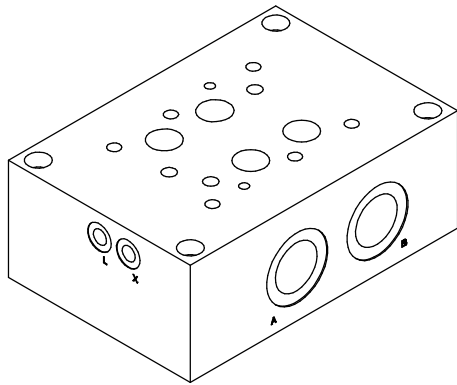
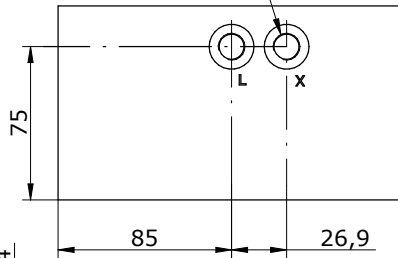


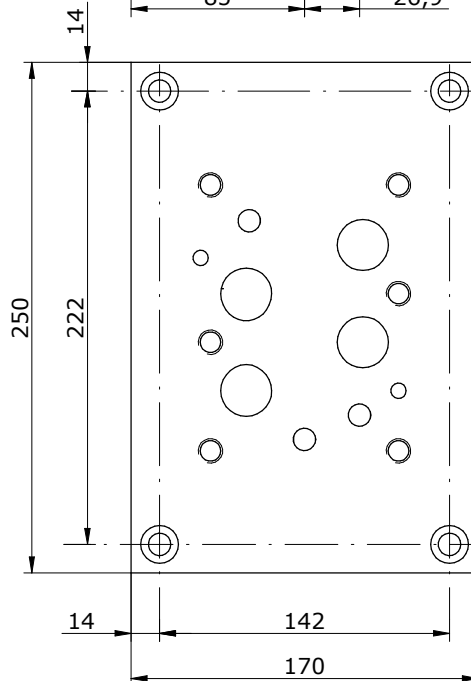
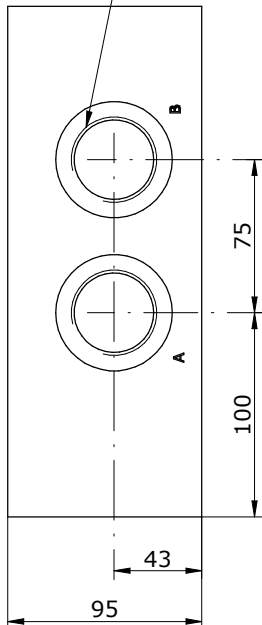
Schema idraulico
 Hydraulic diagram



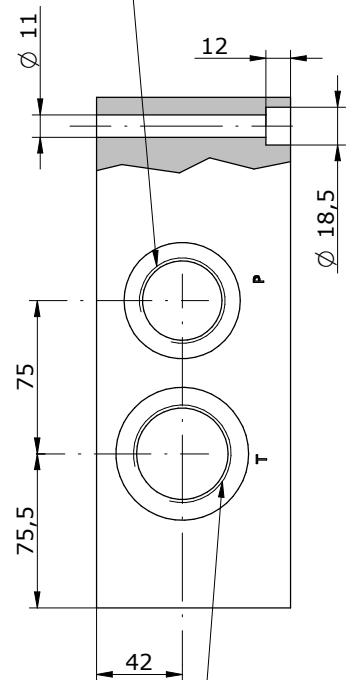
n°2 BSP 1/4G



n°2 BSP 1.1/4G

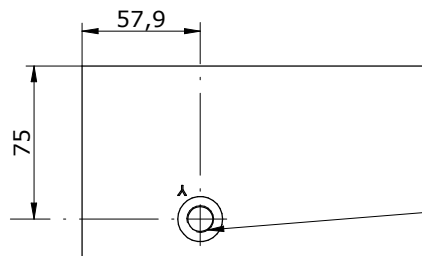


BSP 1.1/4G



BSP 1.1/2G

BSP1/4G



E_ 25 - 05 - 114

S = STEEL