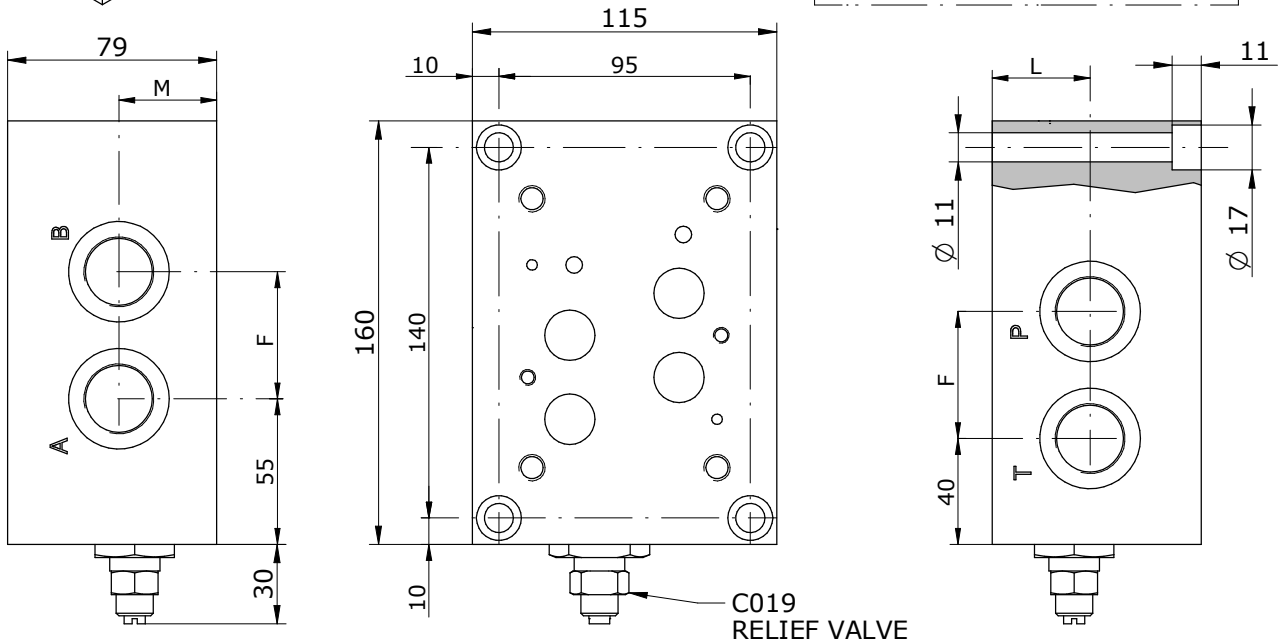
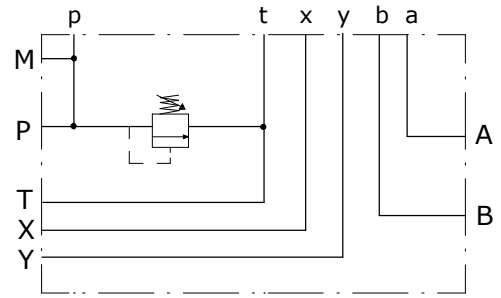
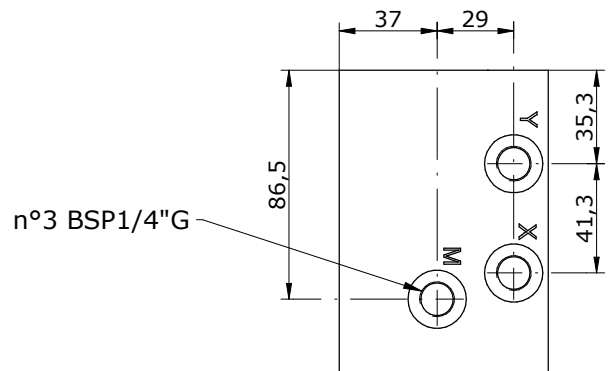


Schema idraulico  
 Hydraulic diagram



VERSION	L	M	F
E_16-02-100	37	40	56
E_16-02-114	33	33	65



**E\_16 - 02 -** \_\_\_\_\_

**S** = STEEL

**100** = BSP 1G  
**114** = BSP 1.1/4G

**0** = WITHOUT RELIEF VALVE (PLUGGED CAVITY)  
**1** = WITH RELIEF VALVE  
**2** = RELIEF VALVE READY

**0** = WITHOUT RELIEF VALVE  
**1** = 10-245 bar  
**2** = 240-350 bar