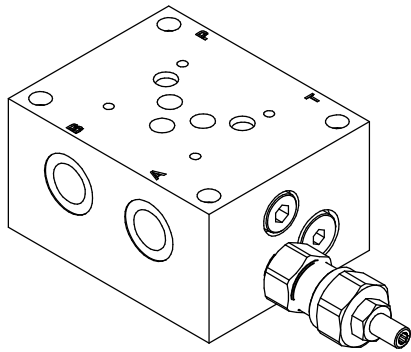
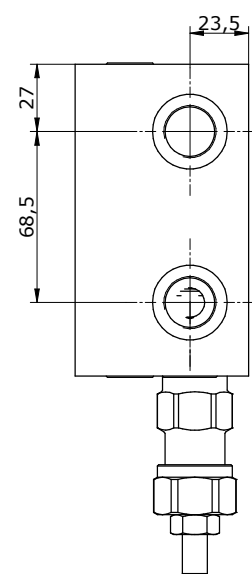
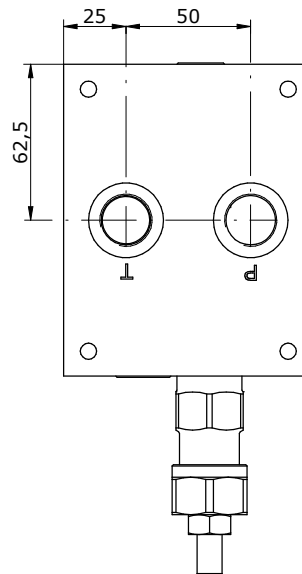
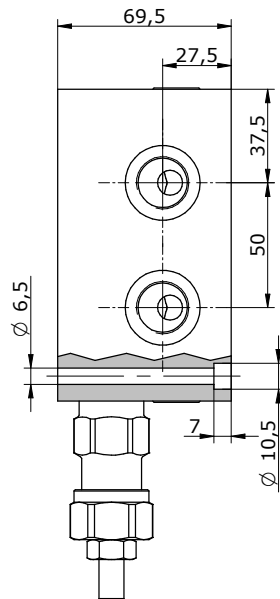
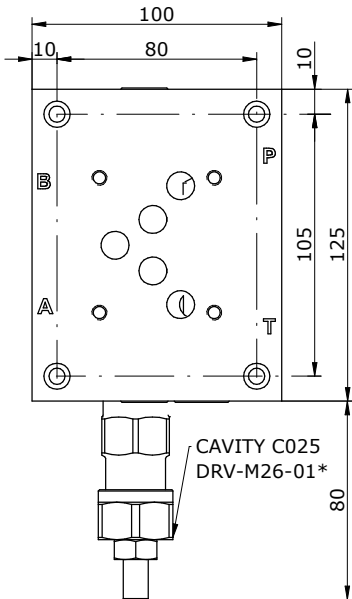
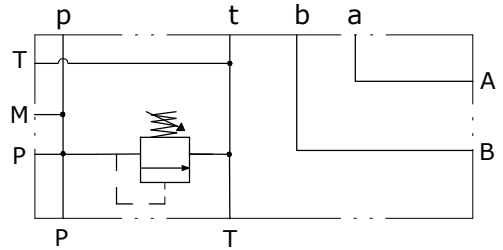


**BASE SINGOLA CETOP 5 CON UTILIZZI A-B-P-T LATERALI, P-T POSTERIORI**  
**CETOP 5 SUB-PLATE WITH A-B-P-T ON SIDE PORTS, P-T REAR**

**OLEODINAMICA**  
**2mp**



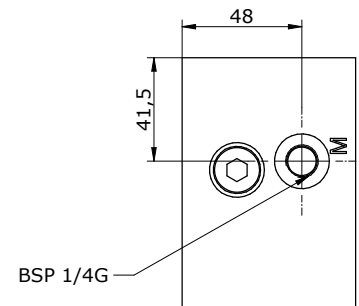
Schema idraulico  
 Hydraulic diagram



**TIPI DI REGOLAZIONE**

REGULATION TYPE

	<b>H</b>	<b>VITE CON CHIAVE ESAGONALE(standard)</b> HEXAGONAL HEAD SCREW
	<b>K</b>	<b>POMOLO</b> KNOB
	<b>C</b>	<b>FISSA CON CAPPuccio</b> COVER CAP
	<b>I</b>	<b>INVIOLABILE</b> NON ADJUSTABLE



**E\_ 10 - 09 - - - - -**

**S** = STEEL  
**A** = ALUMINIUM

**12** = BSP 1/2G  
**34** = BSP 3/4G

**0** = WITHOUT RELIEF VALVE (PLUGGED CAVITY)  
**1** = WITH RELIEF VALVE  
**2** = RELIEF VALVE READY

**0** = WITHOUT RELIEF VALVE  
**H** = HEXAGONAL HEAD SCREW  
**K** = KNOB  
**C** = COVER CAP  
**I** = NOT ADJUSTABLE

**0** = WITHOUT RELIEF VALVE  
**1** = 5-55 bar  
**2** = 25-110 bar  
**3** = 75-250 bar

\*see **CARTRIDGE VALVES** datasheets

Via Nicolò Copernico 12/c-d  
 29027 Casoli Di Gariga - Podenzano (PC) Italy

www.oleodinamica2mp.it  
 Tel +39 0523 523231  
 Fax +39 0523 524509