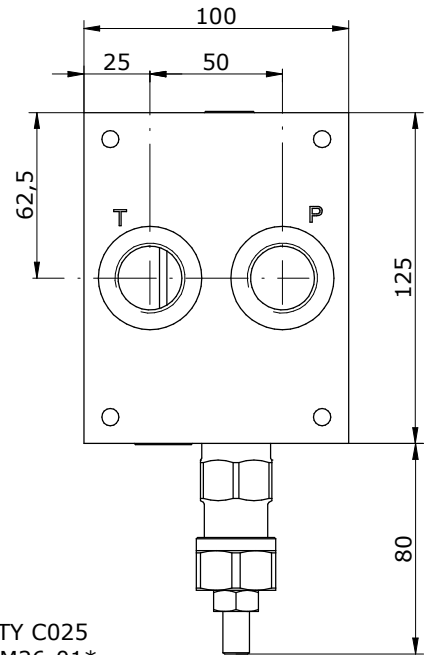
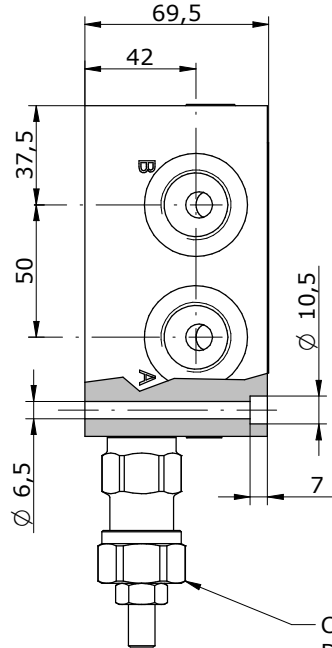
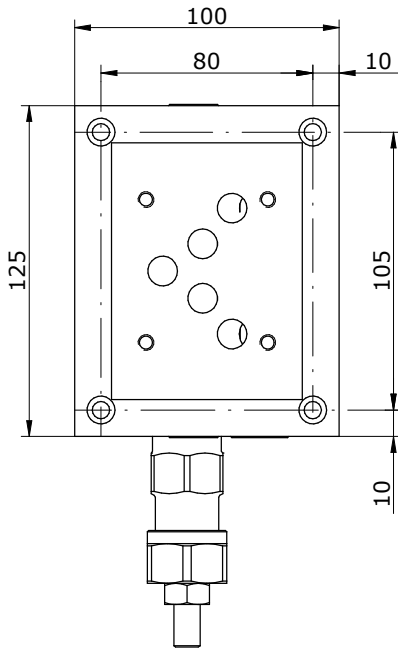
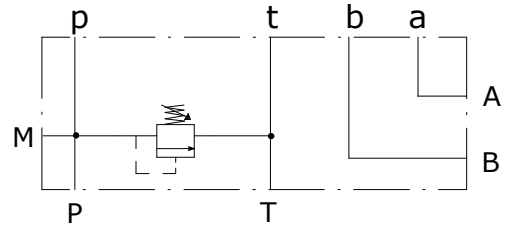


Schema idraulico
 Hydraulic diagram

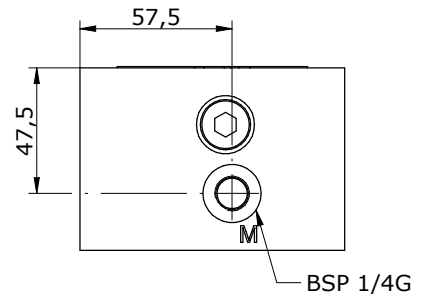


CAVITY C025
 DRV-M26-01*

TIPI DI REGOLAZIONE

REGULATION TYPE

	H	VITE CON CHIAVE ESAGONALE (standard) HEXAGONAL HEAD SCREW
	K	POMOLO KNOB
	C	FISSA CON CAPPuccio COVER CAP
	I	INVIOlabILE NON ADJUSTABLE



E_ 10 - 04 - - - - -

S = STEEL
A = ALUMINIUM

12 = BSP 1/2G
34 = BSP 3/4G

0 = WITHOUT RELIEF VALVE (PLUGGED CAVITY)
1 = WITH RELIEF VALVE
2 = RELIEF VALVE READY

0 = WITHOUT RELIEF VALVE
H = HEXAGONAL HEAD SCREW
K = KNOB
C = COVER CAP
I = NOT ADJUSTABLE

0 = WITHOUT RELIEF VALVE
1 = 5-55 bar
2 = 25-110 bar
3 = 75-250 bar

*see **CARTRIDGE VALVES** datasheets

Via Nicolò Copernico 12/c-d
 29027 Casoni Di Gariga - Podenzano (PC) Italy

www.oleodinamica2mp.it
 Tel +39 0523 523231
 Fax +39 0523 524509