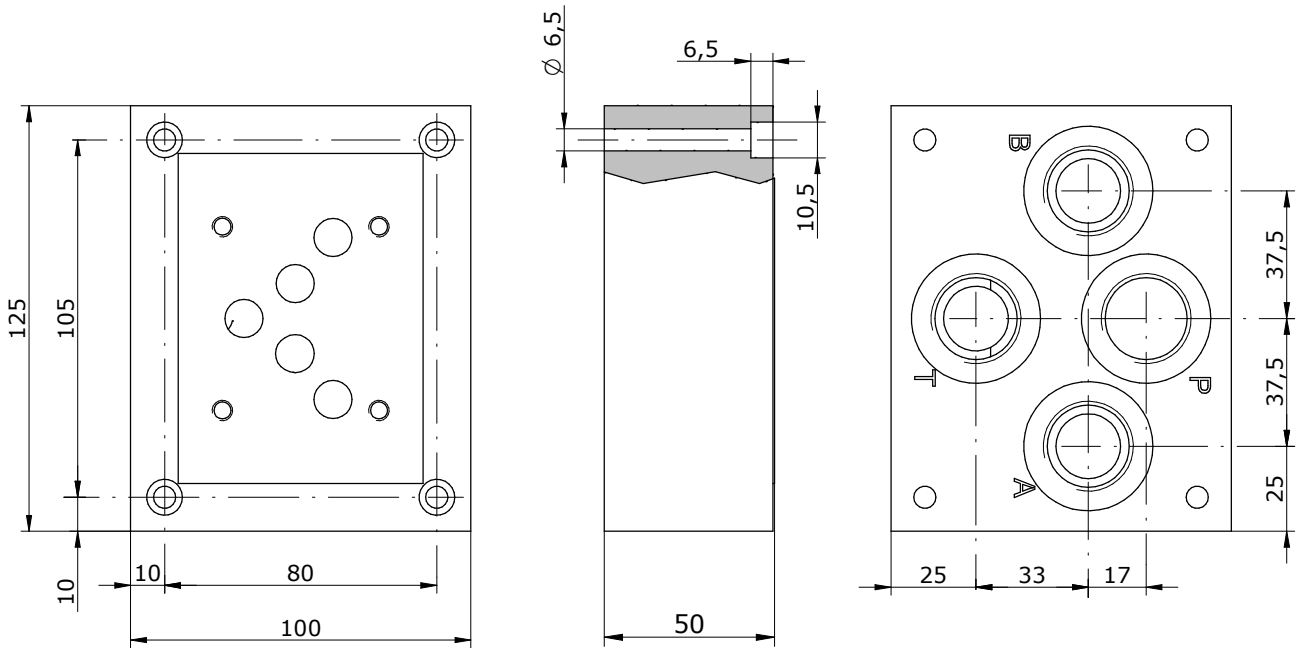
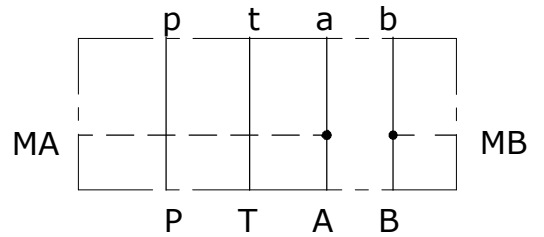


Schema idraulico
 Hydraulic diagram



E_ 10 - 01 -

S = STEEL

12 = BSP 1/2G

34 = BSP 3/4G