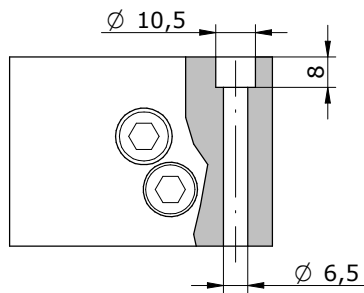
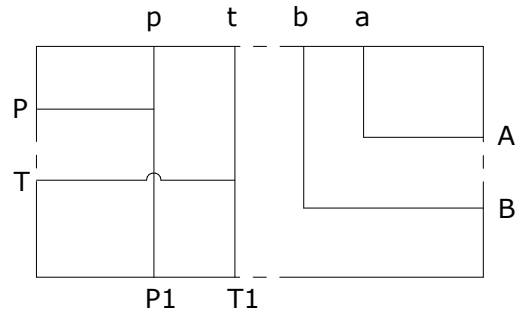
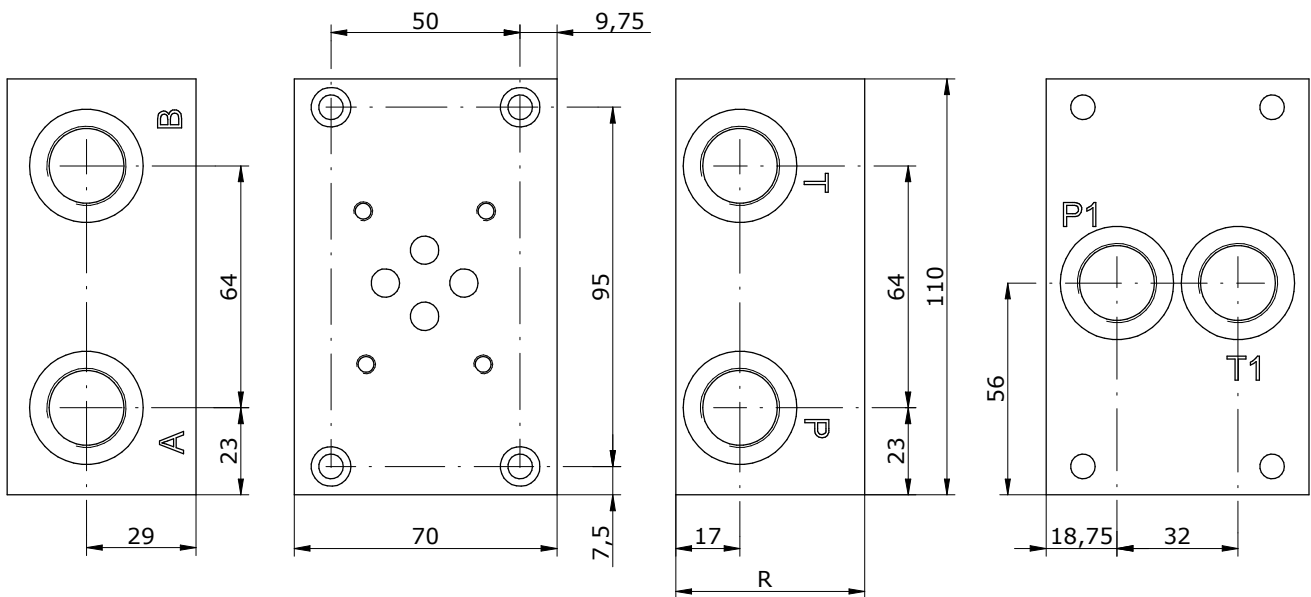


Schema idraulico
 Hydraulic diagram



VERSION	R
E_06-16-38	45
E_06-16-12	50



E_ 06 - 16 -

S = STEEL
A = ALUMINIUM

38 = BSP 3/8G
12 = BSP 1/2G