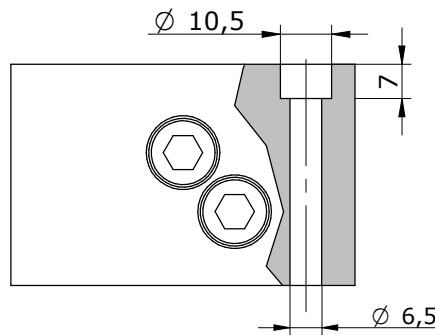
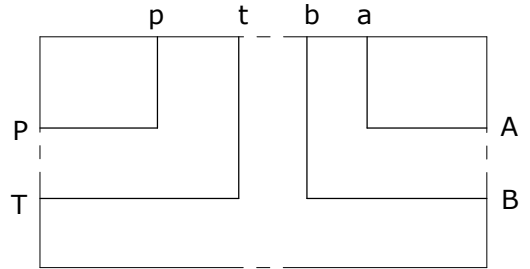
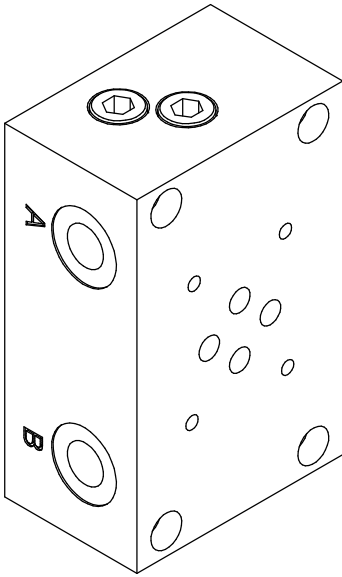
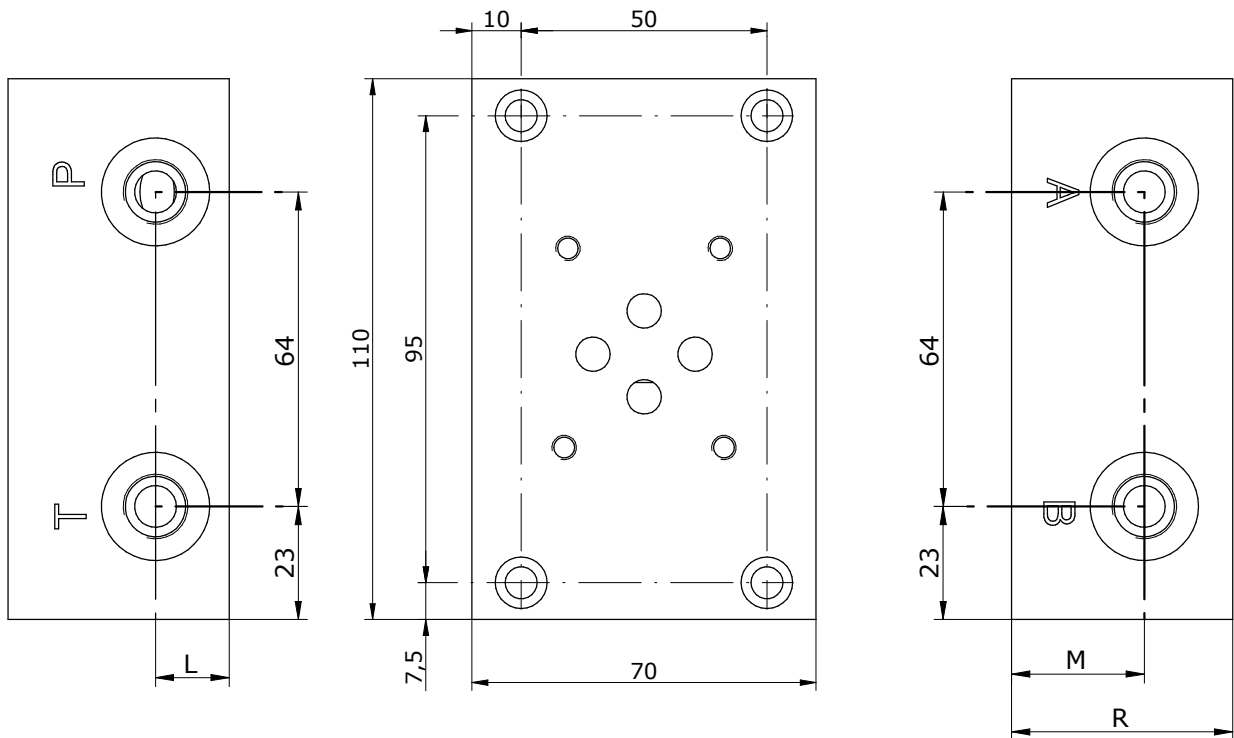


Schema idraulico
 Hydraulic diagram



VERSION	R	L	M
E_06-08-14	45	15	27
E_06-08-38	45	15	27
E_06-08-12	50	17	29



E_06 - 08 -

S = STEEL
A = ALUMINIUM

14 = BSP 1/4G
38 = BSP 3/8G
12 = BSP 1/2G